



AC PLASTIC

80*80*25.....	page 3
80*80*38.....	page 4
92*92*25.....	page 5
92*92*38.....	page 6
120*120*25.....	page 7
120*120*38.....	page 8
127*127*38.....	page 9
160*160*62.....	page 10
172*150*38.....	page 11
172*150*51.....	page 12
EH172*150*51.....	page 13
172*150*51N.....	page 14
172*51.....	page 15
EH172*51.....	page 16
172*150*55.....	page 17
176*176*89.....	page 18
180*180*65.....	page 19
180*180*90.....	page 20
200*220*70.....	page 21
205*205*72.....	page 22
254*89.....	page 23
254*107.....	page 24
280*280*89.....	page 25

Head Office : No. 6-6-3, Gushan 3rd Rd., Gushan District, Kaohsiung City 804, Taiwan (R.O.C.)

Export Dep : Rm 06,B1F., No 321, Dadun 4th St., Nantun Dist., Taichung City 408, Taiwan (R.O.C.)

Head Office Tel : 886-7-532 5777 Fax : 886-7-532 6777 Export Dep : 886-4-24718676

E-mail: sales@chanyu.com.tw





AC STEEL

80*80*38.....	page 26
92*92*38.....	page 27
120*120*38.....	page 28
127*127*38.....	page 29
172*150*38.....	page 30
172*150*51.....	page 31~32
172*51.....	page 33
172*150*55.....	page 34
176*176*89.....	page 35
180*180*65.....	page 36
200*220*70.....	page 37
205*205*72.....	page 38
225*225*80.....	page 39
254*89(3).....	page 40
280*280*80.....	page 41
280*280*89.....	page 42

Head Office : No. 6-6-3, Gushan 3rd Rd., Gushan District, Kaohsiung City 804, Taiwan (R.O.C.)

Export Dep : Rm 06,B1F., No 321, Dadun 4th St., Nantun Dist., Taichung City 408, Taiwan (R.O.C.)

Head Office Tel : 886-7-532 5777 Fax : 886-7-532 6777 Export Dep : 886-4-24718676

E-mail: sales@chanyu.com.tw





80x80x25 mm (3.14x3.14x0.98 in)



Frame: Die cast aluminum

Impeller: Plastic (UL 94V-0 P.B.T)

Ambient Temperature Range: -20°C ~ +70°C

Operating Voltage Range: Rated Voltage $\pm 10\%$

Bearing: Ball & Sleeve bearing

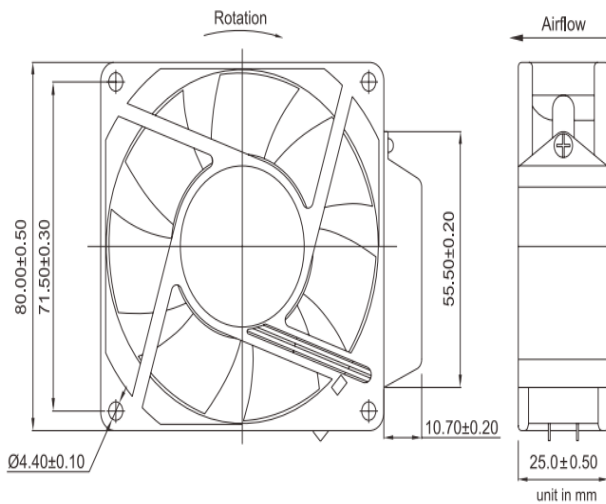
Motor Structure: DC Motor

Motor protection: Impedance

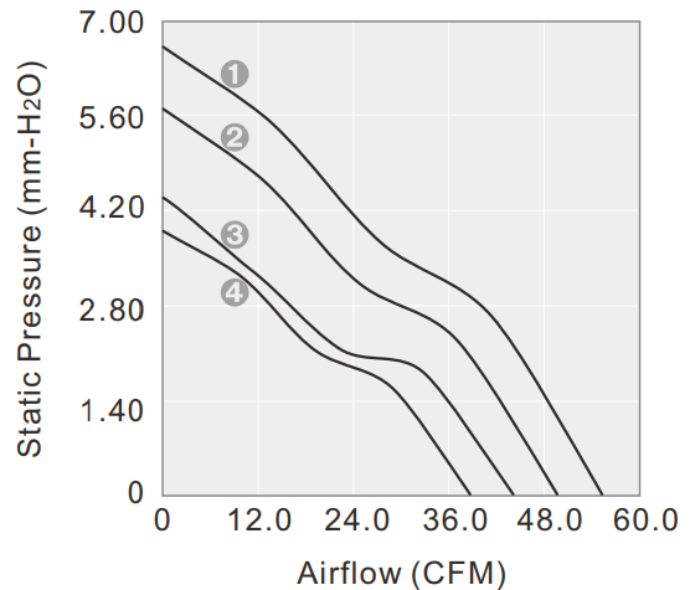
Termination: Lead wire or Terminals

Weight: 138g / PC

Dimension (units:mm)



Characteristic Curves



SPECIFICATION

Model	Voltage (V)	Freq. (Hz)	Current (A)	Power (W)	Speed (RPM)	Air Flow (CFM)	Pressure (mm Aq)	Noise (dB)
CY18025HB	115	50/60	0.16/0.19	3.4/4.3	3600/4000	49.6/55.1	5.7/6.6	42/45.5
CY28025HB	230	50/60	0.15/0.18	4.3/5.3	3600/4000	49.6/55.1	5.7/6.6	42/45.5



80x80x38 mm (3.14x3.14x1.49 in)



Frame: Die cast aluminum

Impeller: Plastic

Ambient Temperature Range:

Ball: -20°C ~ +70°C, Sleeve: -10°C ~ +70°C

Operating Voltage Range: Rated Voltage $\pm 10\%$

Bearing: Ball & Sleeve bearing

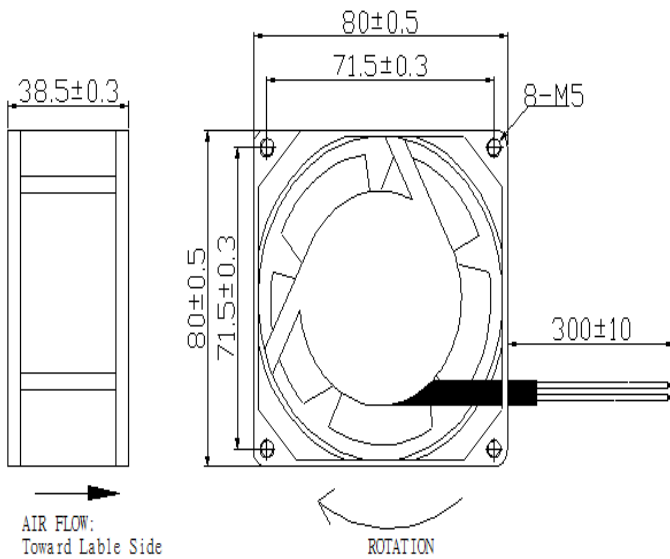
Motor Structure: Shaded pole

Motor protection: Impedance

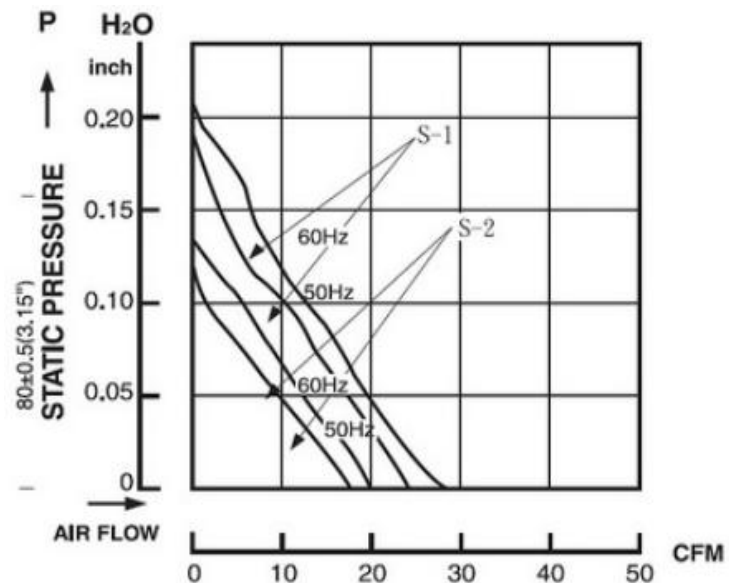
Termination: Lead wire or Terminals

Weight: 320g / PC

Dimension (units:mm)



Characteristic Curves



SPECIFICATION

Model	Voltage (V)	Freq. (Hz)	Current (A)	Power (W)	Speed (RPM)	Air Flow (CFM)	Pressure (mm Aq)	Noise (dB)
CY18038HB	115	50/60	0.14/0.12	13/12	2300/2700	26/30	4.31/6.09	30/35
CY28038HB	230	50/60	0.1/0.08	13/12	2300/2700	26/30	4.31/6.09	30/35



92x92x25 mm (3.62x3.62x0.98 in)



Frame: Die cast aluminum

Impeller: Plastic

Ambient Temperature Range:

Ball: -20°C ~ +70°C, Sleeve: -10°C ~ +70°C

Operating Voltage Range: Rated Voltage ±10%

Bearing: Ball & Sleeve bearing

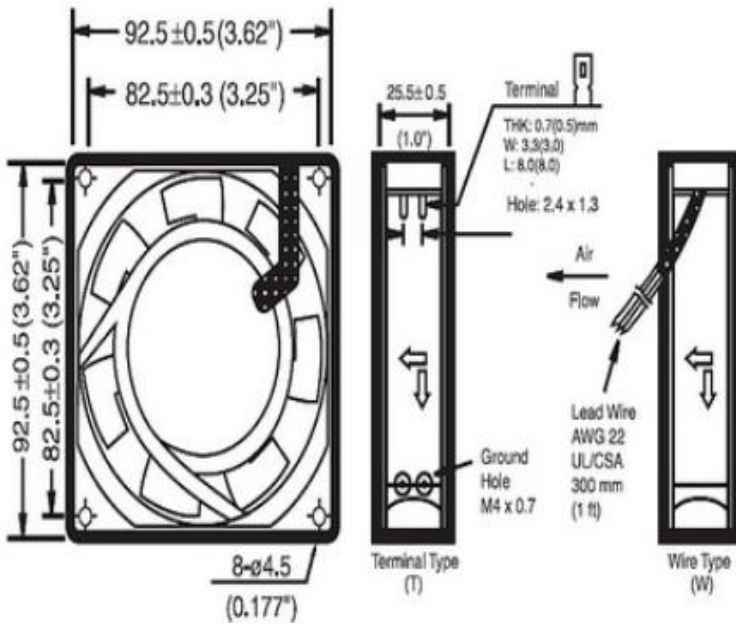
Motor Structure: Shaded pole

Motor protection: Impedance

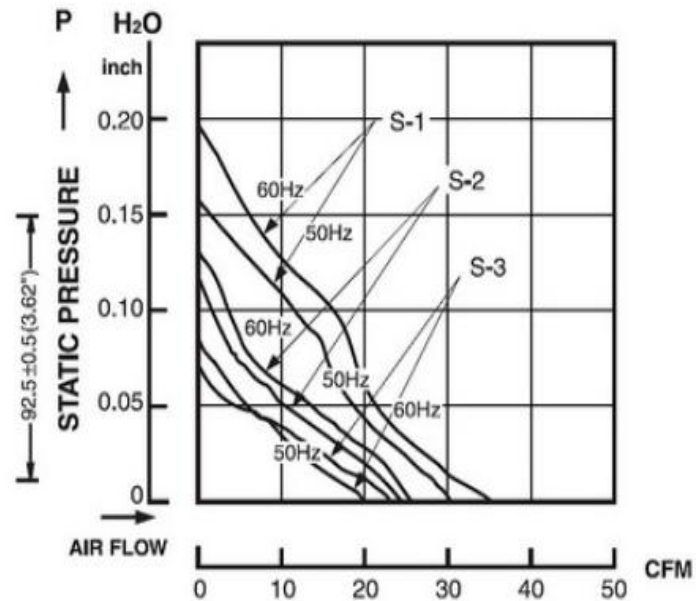
Termination: Lead wire or Terminals

Weight: 250g / PC

Dimension (units:mm)



Characteristic Curves



SPECIFICATION

Model	Voltage (V)	Freq. (Hz)	Current (A)	Power (W)	Speed (RPM)	Air Flow (CFM)	Pressure (mm Aq)	Noise (dB)
CY19225HB	115	50/60	0.21/0.2	19/17	2400/2800	30/36	4/5.08	35/37
CY29225HB	230	50/60	0.1/0.09	19/17	2400/2800	30/36	4/5.08	35/37



92x92x38 mm (3.62x3.62x1.49 in)



Frame: Die cast aluminum

Impeller: Plastic (UL 94V-0 P.B.T)

Ambient Temperature Range: -20°C ~ +70°C

Operating Voltage Range: Rated Voltage $\pm 10\%$

Bearing: Ball & Sleeve bearing

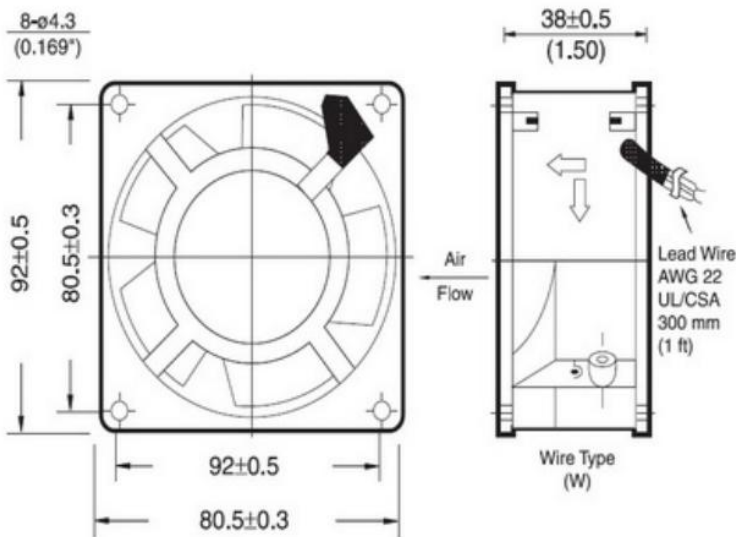
Motor Structure: Shaded Pole

Motor protection: Impedance

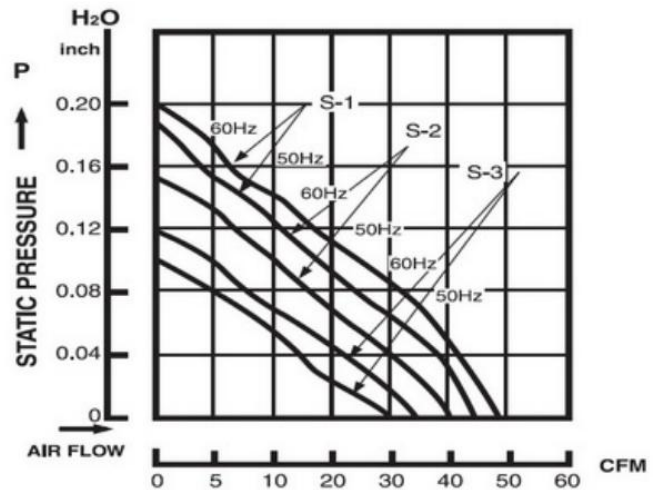
Termination: Lead wire

Weight: 430g / PC

Dimension (units:mm)



Characteristic Curves



SPECIFICATION

Model	Voltage (V)	Freq. (Hz)	Current (A)	Power (W)	Speed (RPM)	Air Flow (CFM)	Pressure (mm Aq)	Noise (dB)
CY19238HB	115	50/60	0.15/0.12	10/9	2700/3000	40/45	4.31/5.08	35/37
CY29238HB	230	50/60	0.15/0.12	16/13	2700/3000	40/45	4.32/5.08	35/37



120x120x25 mm (4.72x4.72x0.98 in)



Frame: Die cast aluminum

Impeller: Plastic (UL 94V-0 P.B.T)

Ambient Temperature Range: -20°C ~ +70°C

Operating Voltage Range: Rated Voltage ±10%

Bearing: Ball & Sleeve bearing

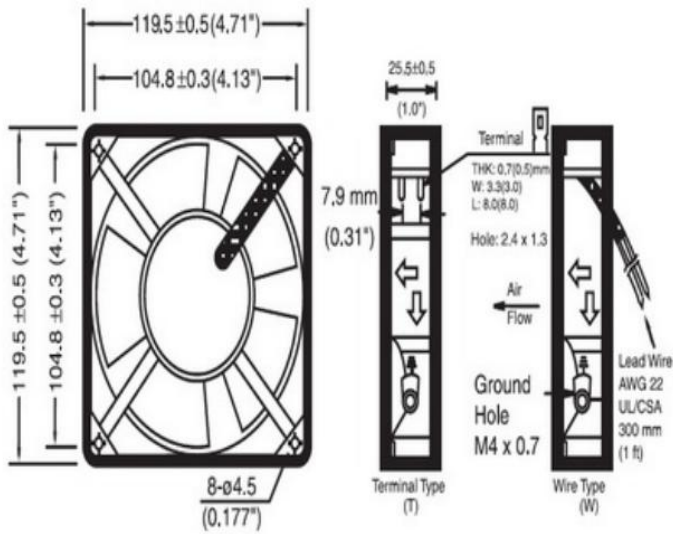
Motor Structure: Shaded Pole

Motor protection: Impedance

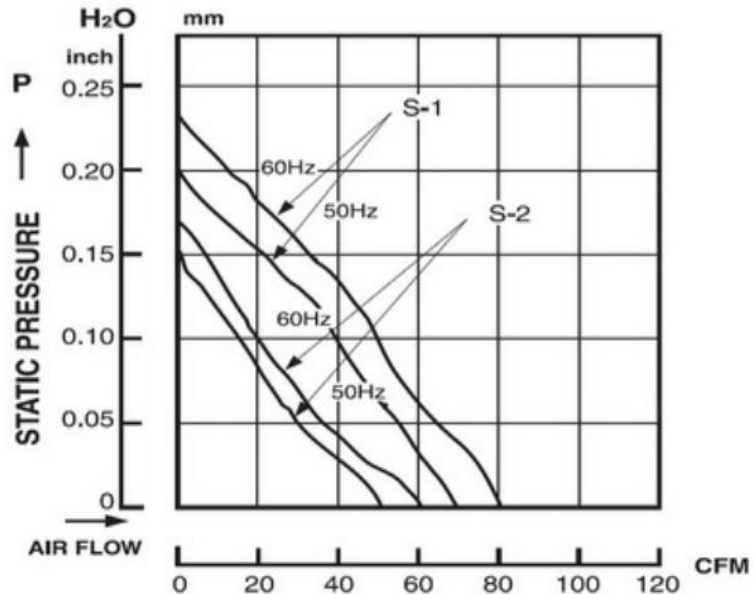
Termination: Terminals & Lead wire

Weight: 380g / PC

Dimension (units:mm)



Characteristic Curves



SPECIFICATION

Model	Voltage (V)	Freq. (Hz)	Current (A)	Power (W)	Speed (RPM)	Air Flow (CFM)	Pressure (mm Aq)	Noise (dB)
CY11225HB	115	50/60	0.19/0.18	18/16	2000/2350	64/80	5.08/5.84	42/44
CY21225HB	230	50/60	0.12/0.11	18/16	2000/2350	64/80	5.08/5.84	42/44



120x120x38 mm (4.72x4.72x1.49 in)



Frame: Die cast aluminum

Impeller: Plastic (UL 94V-0 P.B.T)

Ambient Temperature Range: -20°C ~ +70°C

Operating Voltage Range: Rated Voltage $\pm 10\%$

Bearing: Ball & Sleeve bearing

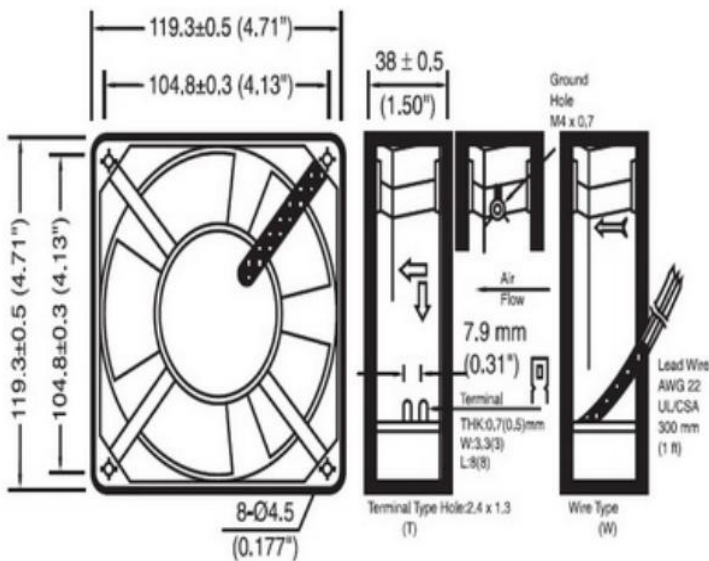
Motor Structure: Shaded Pole

Motor protection: Impedance

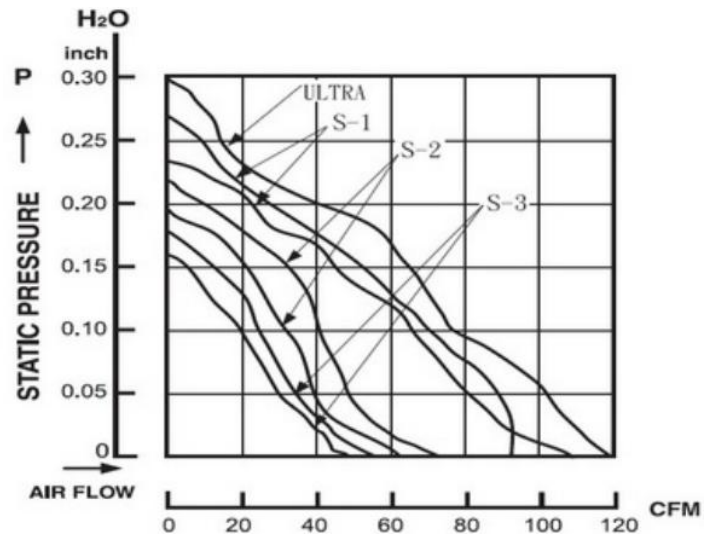
Termination: Terminals & Lead wire

Weight: 600g / PC

Dimension (units:mm)



Characteristic Curves



SPECIFICATION

Model	Voltage (V)	Freq. (Hz)	Current (A)	Power (W)	Speed (RPM)	Air Flow (CFM)	Pressure (mm Aq)	Noise (dB)
CY11238XB	115	50/60	0.25/0.19	18/19	2700/3000	112/120	6.85/7.62	40/45
CY11238HB	115	50/60	0.24/0.18	18/17	2700/3000	80/105	5.84/7.11	42/47
CY21238XB	230	50/60	0.14/0.12	18/19	2700/3000	112/120	6.85/7.62	40/45
CY21238HB	230	50/60	0.24/0.18	18/17	2700/3000	80/105	5.84/7.11	42/47



127x127x38 mm (5x5x1.49 in)



Frame: Die cast aluminum

Impeller: Plastic (UL 94V-0 P.B.T)

Ambient Temperature Range: -20°C ~ +70°C

Operating Voltage Range: Rated Voltage $\pm 10\%$

Bearing: Ball & Sleeve bearing

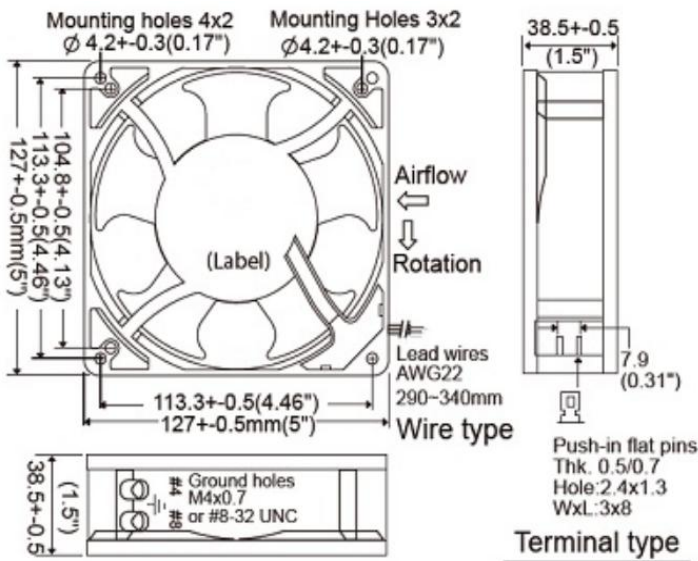
Motor Structure: Shaded pole induction

Motor protection: Impedance

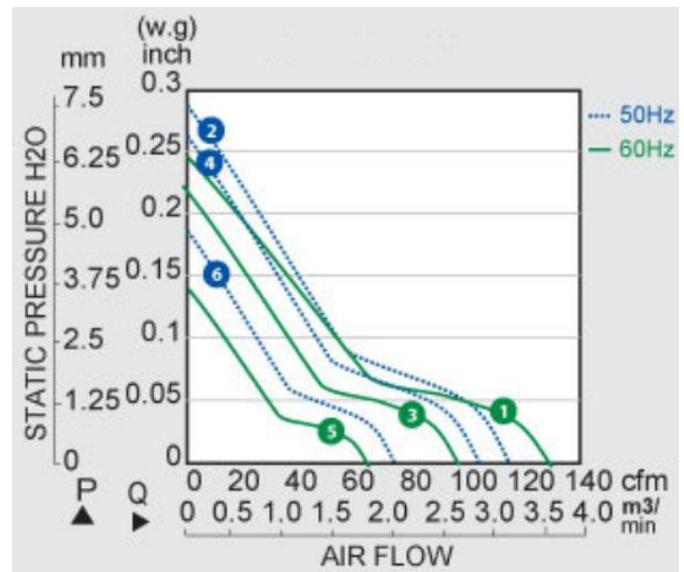
Termination: Terminals or Lead wire

Weight: 600g / PC

Dimension (units:mm)



Characteristic Curves



SPECIFICATION

Model	Voltage (V)	Freq. (Hz)	Power (W)	Speed (RPM)	Air Flow (CFM)	Pressure (mm Aq)	Noise (dB)
CY11338HB	115	50/60	16/14	2600/2750	115/130	7.37/6.35	46
CY21338HB	230	50/60	16/14	2600/2750	115/130	7.37/6.35	46



160x160x62 mm (6.3x6.3x2.4 in)



Frame: Die cast aluminum

Impeller: Plastic (UL 94V-0 P.B.T)

Ambient Temperature Range: -20°C ~ +70°C

Operating Voltage Range: Rated Voltage $\pm 10\%$

Bearing: Ball bearing

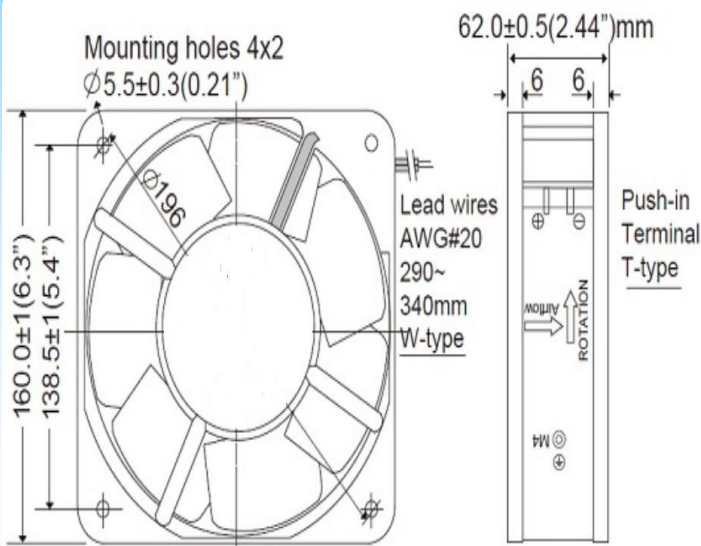
Motor Structure: Capacitor induction

Motor protection: Thermally protected

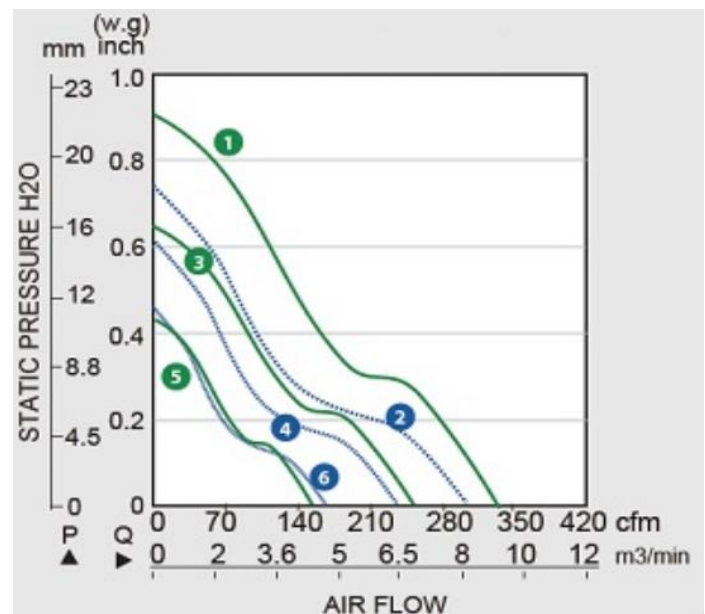
Termination: Terminals or Lead wire

Weight: 1400g / PC

Dimension (units:mm)



Characteristic Curves



SPECIFICATION

Model	Voltage (V)	Freq. (Hz)	Power (W)	Speed (RPM)	Air Flow (CFM)	Pressure (mm Aq)	Noise (dB)
CY11662HB	115	50/60	48/55	2700/3100	298/340	19.3/23.62	56
CY21662HB	230	50/60	48/55	2700/3100	298/340	19.3/23.62	56



□172x150x38 mm
(□6.77x6x1.5 in)



Frame: Die cast aluminum

Impeller: Plastic

Ambient Temperature Range: -20°C ~ +70°C

Operating Voltage Range: Rated Voltage ±10%

Bearing: Ball (TÜV & UL approval)

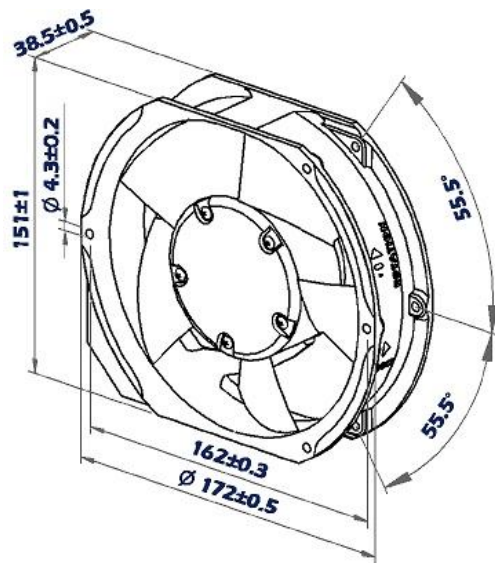
Motor Structure: AC Induction Capacitor Motor

Motor protection: Thermal Protected (Auto Restart)

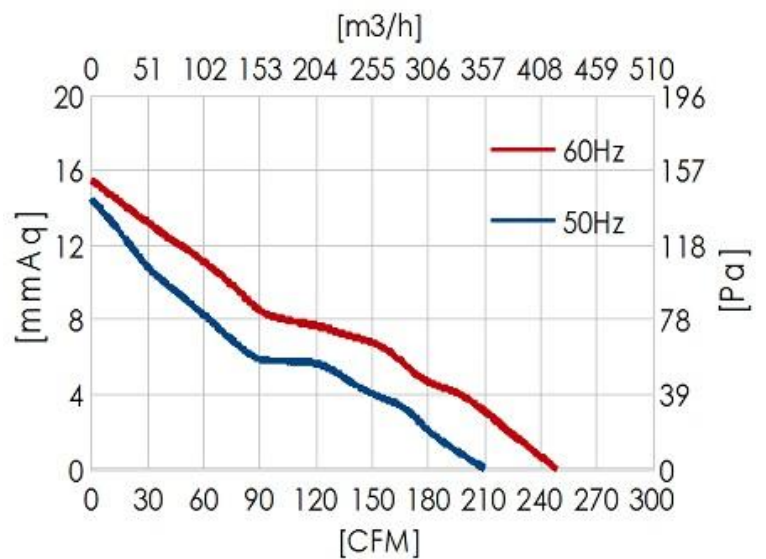
Termination: Terminals or Lead wire

Weight: 800g / PC

Dimension (units:mm)



Characteristic Curves



SPECIFICATION

Model	Voltage (V)	Freq. (Hz)	Current (A)	Power (W)	Speed (RPM)	Air Flow (CFM)	Pressure (mm Aq)	Noise (dB)	TÜV UL
CY11738HB	115	50/60	0.25/0.21	27/25	2700/3100	210/250	14/15.5	53/59	✓
CY21738HB	230	50/60	0.11/0.1	25/25	2700/3100	210/250	14/15.5	53/59	✓



□172x150x51 mm (□6.77x6x2 in)



Frame: Die cast aluminum

Impeller: Plastic

Ambient Temperature Range: -20°C ~ +70°C

Operating Voltage Range: Rated Voltage ±10%

Bearing: Ball (TÜV & UL approval)

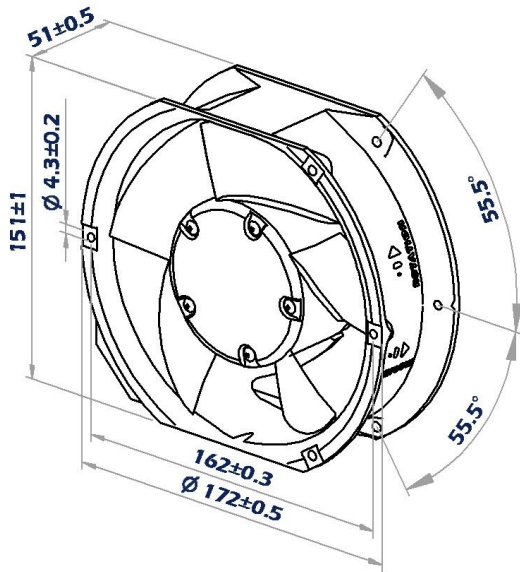
Motor Structure: AC Induction Capacitor Motor

Motor protection: Thermal Protected (Auto Restart)

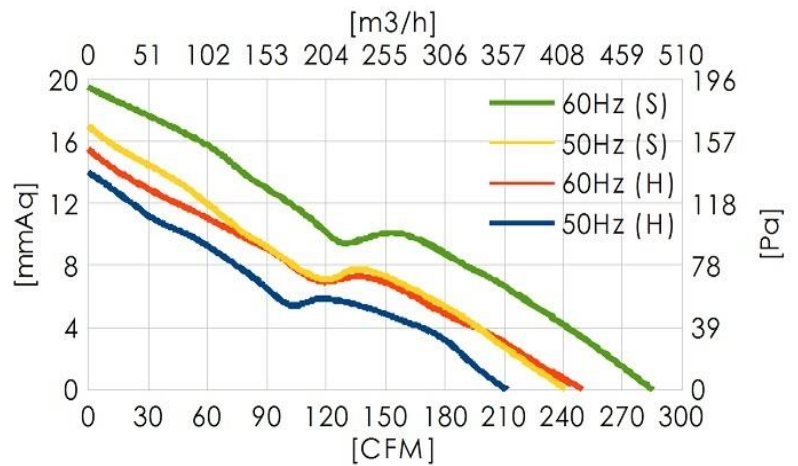
Termination: Terminals or Lead wire

Weight: 1050g / PC

Dimension (units:mm)



Characteristic Curves



SPECIFICATION

Model	Voltage (V)	Freq. (Hz)	Current (A)	Power (W)	Speed (RPM)	Air Flow (CFM)	Pressure (mm Aq)	Noise (dB)	TÜV UL
CY11751XB	115	50/60	0.28/0.24	27/27	2800/3300	230/270	16.5/20	55/61	✓
CY21751XB	230	50/60	0.11/0.12	24/27	2800/3300	230/270	16.5/20	55/61	✓
CY11751HB	115	50/60	0.25/0.23	27/27	2650/3050	210/250	14/15.5	53/59	✓
CY21751HB	230	50/60	0.11/0.11	26/26	2650/3050	210/250	14/15.5	53/59	✓



EH172x150x51 mm (□6.77x6x2 in)



Frame: Die cast aluminum

Impeller: Plastic UL94V-0, 7 impellers

Ambient Temperature Range: -20°C ~ +70°C

Operating Voltage Range: Rated Voltage ±10%

Bearing: Ball

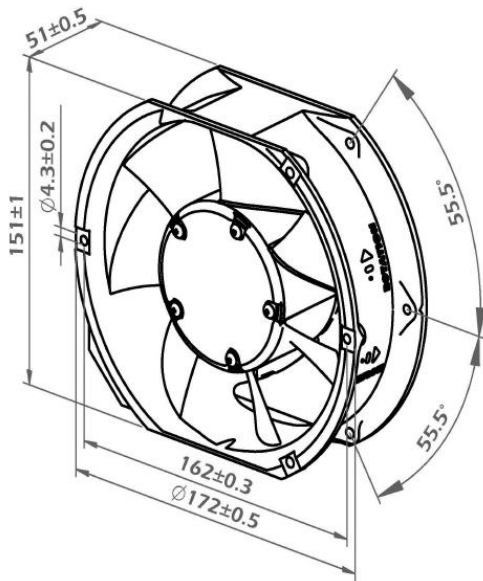
Motor Structure: AC Induction Capacitor

Motor protection: Thermal Protected

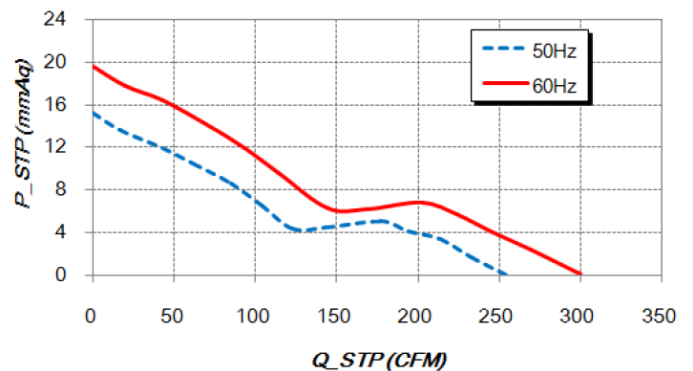
Termination: Terminals or Lead wire

Package: 1040g/PC, 12PCS / CTN, 41x39x21cm

Dimension (units:mm)



Characteristic Curves



AC Axial Fan

SPECIFICATION

Model	Voltage (V)	Freq. (Hz)	Current (A)	Power (W)	Speed (RPM)	Air Flow (CFM)	Pressure (mmAq)	Noise (dB)
CY11751UB	115	50/60	0.41/0.35	41/40	2800/3200	255/300	15.2/19.6	55/61
CY21751UB	230	50/60	0.19/0.17	39/40	2800/3200	255/300	15.2/19.6	55/61



172x150x51N mm (6.77x5.9x2 in)



Frame: Die cast aluminum

Impeller: Plastic (UL 94V-0 P.B.T)

Ambient Temperature Range: -20°C ~ +70°C

Operating Voltage Range: Rated Voltage $\pm 10\%$

Bearing: Ball bearing

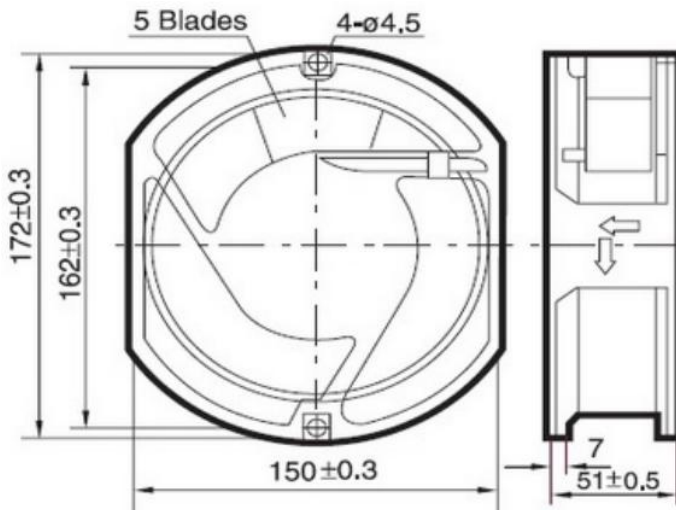
Motor Structure: Shaded Pole

Motor protection: Impedance

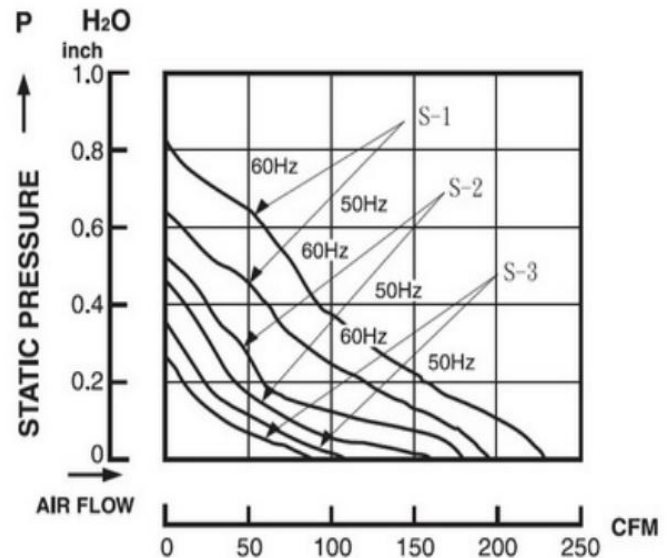
Termination: Terminals & Lead wire

Weight: 1050g / PC

Dimension (units:mm)



Characteristic Curves



SPECIFICATION

Model	Voltage (V)	Freq. (Hz)	Current (A)	Power (W)	Speed (RPM)	Air Flow (CFM)	Pressure (mm Aq)	Noise (dB)
CY11751HB-N	115	50/60	0.5/0.45	38/35	2800/3100	190/235	16/20.06	50/45
CY21751HB-N	230	50/60	0.23/0.21	32/31	2800/3100	190/235	16/20.06	50/45



ø172x51 mm
(ø6.77x 2 in)



Frame: Die cast aluminum

Impeller: Plastic

Ambient Temperature Range: -20°C ~ +70°C

Operating Voltage Range: Rated Voltage ±10%

Bearing: Ball (TÜV & UL approval)

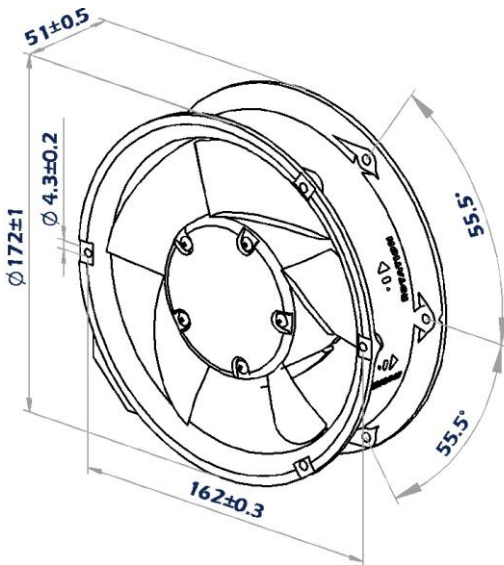
Motor Structure: AC Induction Capacitor Motor

Motor protection: Thermal Protected (Auto Restart)

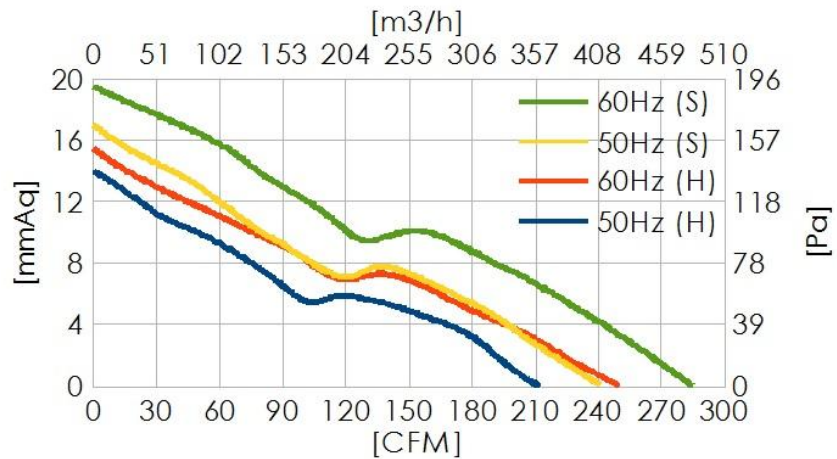
Termination: Terminals or Lead wire

Weight: 1050g / PC

Dimension (units:mm)



Characteristic Curves



AC Axial Fan

SPECIFICATION

Model	Voltage (V)	Freq. (Hz)	Current (A)	Power (W)	Speed (RPM)	Air Flow (CFM)	Pressure (mm Aq)	Noise (dB)	TÜV UL
CY11751XBø	115	50/60	0.28/0.24	27/27	2800/3300	240/285	17/20	55/61	✓
CY21751XBø	230	50/60	0.11/0.12	24/27	2800/3300	240/285	17/20	55/61	✓
CY11751HB	115	50/60	0.25/0.23	27/27	2650/3050	210/250	14/15.5	53/59	
CY21751HB	230	50/60	0.11/0.11	26/26	2650/3050	210/250	14/15.5	53/59	



EH172x51 mm (ø6.8x2 in)



Frame: Die cast aluminum

Impeller: Plastic UL94V-0 7 impellers

Ambient Temperature Range: -20°C ~ +70°C

Operating Voltage Range: Rated Voltage ±10%

Bearing: Ball

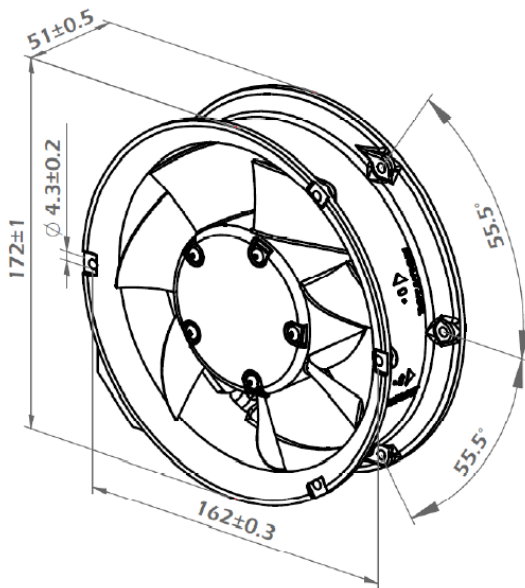
Motor Structure: AC Induction Capacitor

Motor protection: Thermally Protected

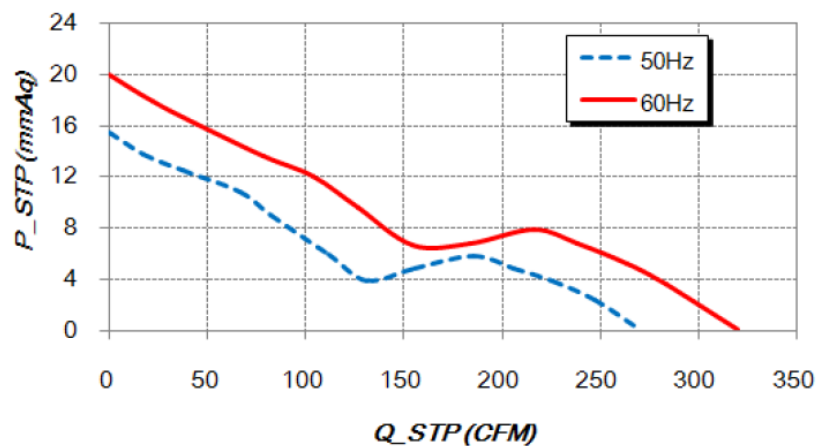
Termination: Terminal or lead wire

Package: 1040g/ PC 12pcs/ CTN 41x39x21cm

Dimension (units:mm)



Characteristic Curves



AC Axial Fan

SPECIFICATION

Model	Voltage (V)	Freq. (Hz)	Current (A)	Power (W)	Speed (RPM)	Air Flow (CFM)	Pressure (mmAq)	Noise (dB)
CY11751UB	115	50/60	0.41/0.35	41/40	2800/3200	270/320	15.5/20	55/61
CY21751UB	230	50/60	0.19/0.17	39/40	2800/3200	270/320	15.5/20	55/61



□172x150x55 mm
(□6.77x6x2.16 in)



Frame: Die cast aluminum

Impeller: Plastic

Ambient Temperature Range: -20°C ~ +70°C

Operating Voltage Range: Rated Voltage ±10%

Bearing: Ball (TÜV & UL approval)

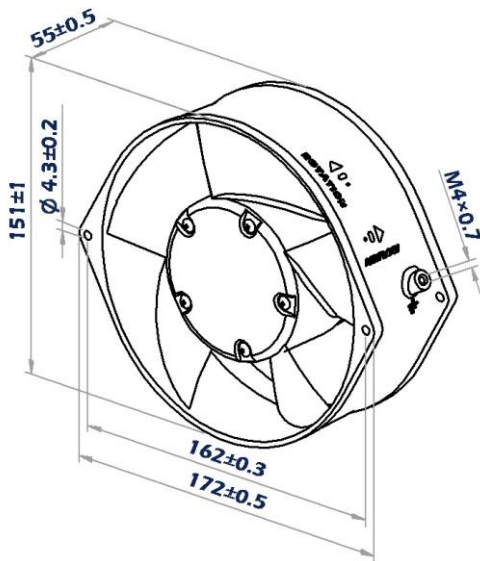
Motor Structure: AC Induction Capacitor Motor

Motor protection: Thermal Protected (Auto Restart)

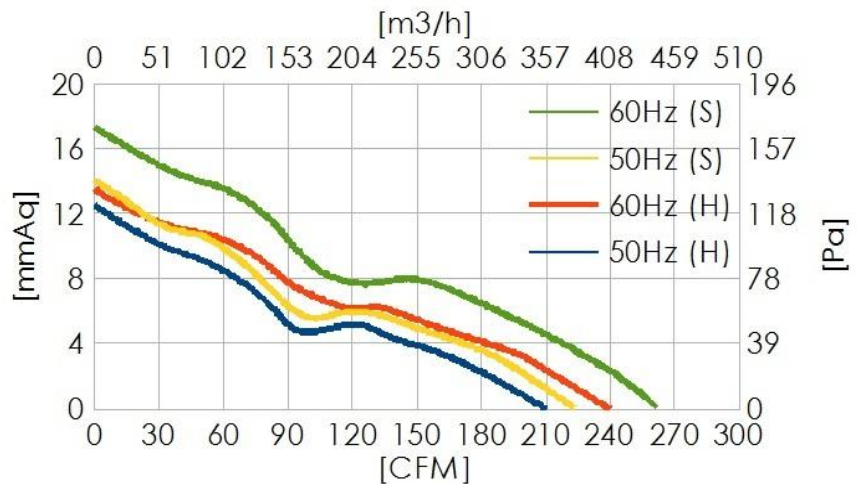
Termination: Terminals or Lead wire

Weight: 950g / PC

Dimension (units:mm)



Characteristic Curves



SPECIFICATION

Model	Voltage (V)	Freq. (Hz)	Current (A)	Power (W)	Speed (RPM)	Air Flow (CFM)	Pressure (mm Aq)	Noise (dB)	TÜV UL
CY11755XB	115	50/60	0.28/0.24	27/27	2800/3300	220/250	14/18	55/61	✓
CY21755XB	230	50/60	0.11/0.12	24/27	2800/3300	220/250	14/18	55/61	✓
CY11755HB	115	50/60	0.25/0.23	27/27	2650/3050	210/240	12.5/13.5	53/59	✓
CY21755HB	230	50/60	0.11/0.11	26/26	2650/3050	210/240	12.5/13.5	53/59	✓



176x176x89 mm (6.92x6.92x3.5 in)



Frame: Die cast aluminum

Impeller: Plastic (UL 94V-0 P.B.T)

Ambient Temperature Range: -20°C ~ +70°C

Operating Voltage Range: Rated Voltage ±10%

Bearing: Ball bearing

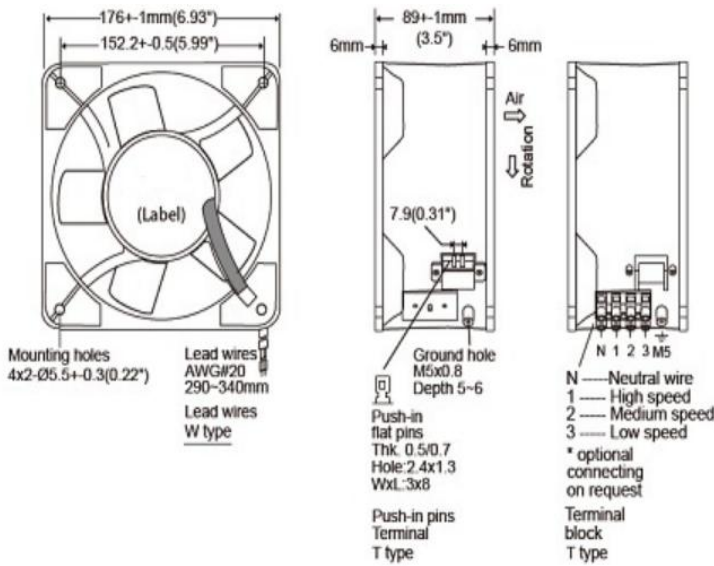
Motor Structure: Capacitor induction

Motor protection: Thermally protected

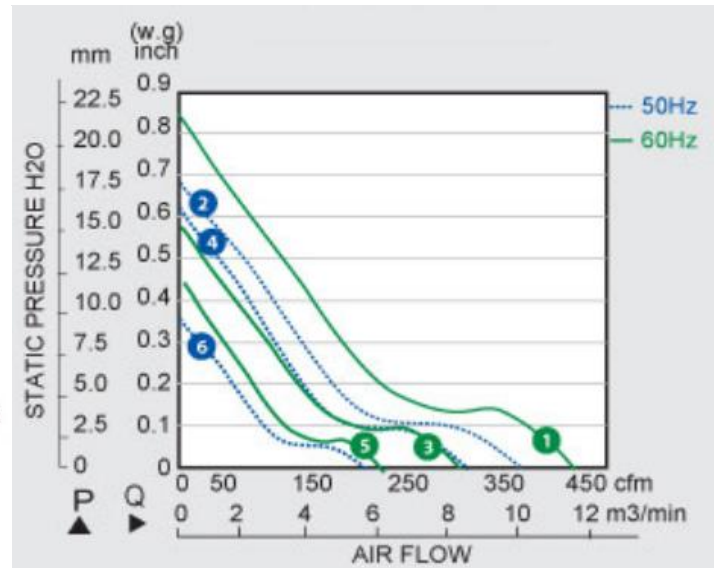
Termination: Terminals or Lead wire

Weight: 1800g / PC

Dimension (units:mm)



Characteristic Curves



SPECIFICATION

Model	Voltage (V)	Freq. (Hz)	Power (W)	Speed (RPM)	Air Flow (CFM)	Pressure (mm Aq)	Noise (dB)
CY11789HB	115	50/60	60/70	2750/3200	360/410	17.27/21.59	62
CY21789HB	230	50/60	60/70	2750/3200	360/410	17.27/21.59	62



180x180x65 mm (7.08x7.08x2.55 in)



Frame: Die cast aluminum

Impeller: Plastic (UL 94V-0 P.B.T)

Ambient Temperature Range: -20°C ~ +70°C

Operating Voltage Range: Rated Voltage $\pm 10\%$

Bearing: Ball bearing

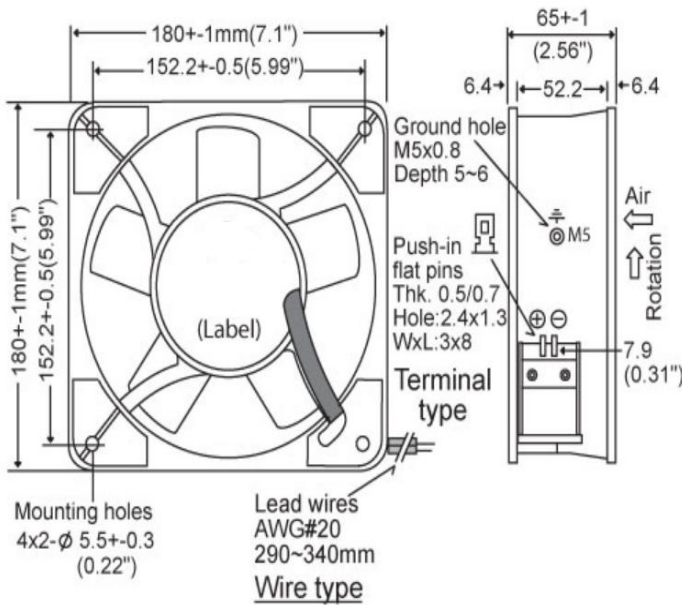
Motor Structure: Capacitor induction

Motor protection: Thermally protected

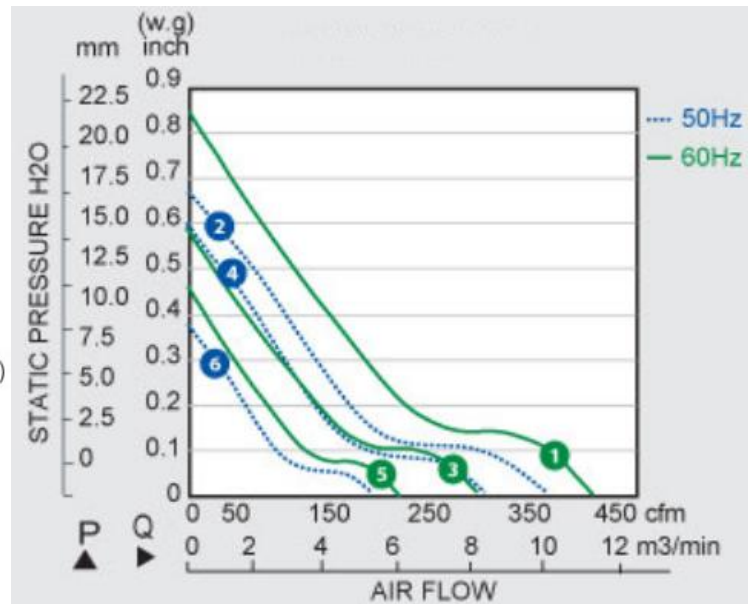
Termination: Terminals or Lead wire

Weight: 1800g / PC

Dimension (units:mm)



Characteristic Curves



SPECIFICATION

Model	Voltage (V)	Freq. (Hz)	Power (W)	Speed (RPM)	Air Flow (CFM)	Pressure (mm Aq)	Noise (dB)
CY11865HB	115	50/60	60/70	2800/3200	355/405	16.76/21.08	60
CY21865HB	230	50/60	60/70	2800/3200	355/405	16.76/21.08	60



180x180x90 mm (7.08x7.08x3.54 in)



Frame: Die cast aluminum

Impeller: Plastic (UL 94V-0 P.B.T)

Ambient Temperature Range: -20°C ~ +70°C

Operating Voltage Range: Rated Voltage $\pm 10\%$

Bearing: Ball & Sleeve bearing

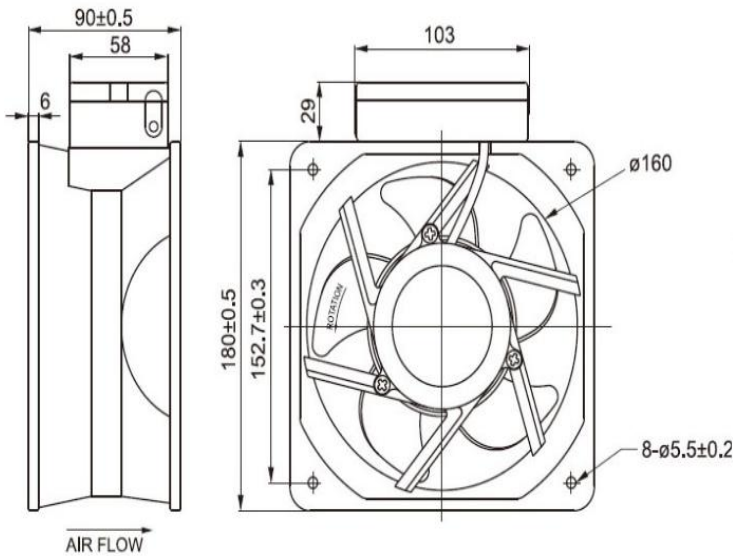
Motor Structure: Capacitor induction

Motor protection: Thermally or Impedance protected

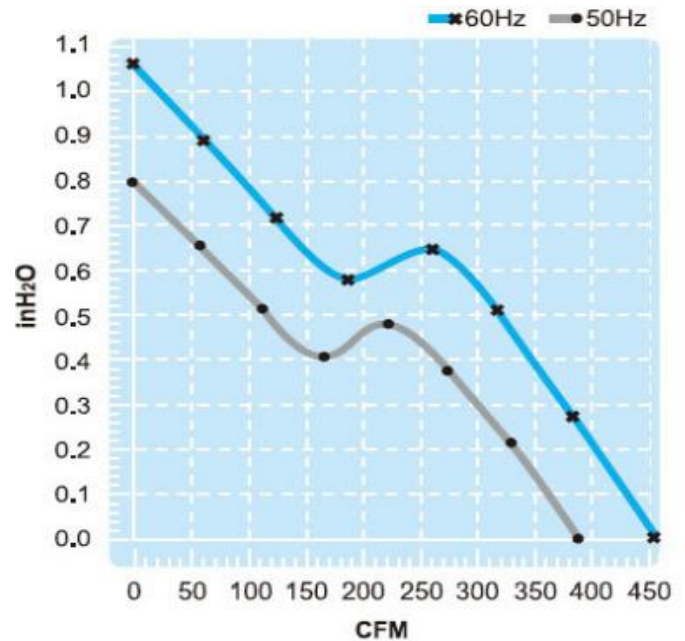
Termination: Terminals or Lead wire

Weight: 2200g / PC

Dimension (units:mm)



Characteristic Curves



SPECIFICATION

Model	Voltage (V)	Freq. (Hz)	Current (A)	Power (W)	Speed (RPM)	Air Flow (CFM)	Pressure (mm Aq)	Noise (dB)
CY11890HB	115	50/60	0.88/0.63	78/72	2850/3400	390/460	20/27	54/59
CY21890HB	230	50/60	0.42/0.31	75/72	2850/3400	390/460	20/27	54/59



200x220x70 mm (7.87x8.66x2.55 in)



Frame: Die cast aluminum

Impeller: Plastic (UL 94V-0 P.B.T)

Ambient Temperature Range: -20°C ~ +70°C

Operating Voltage Range: Rated Voltage $\pm 10\%$

Bearing: Ball bearing

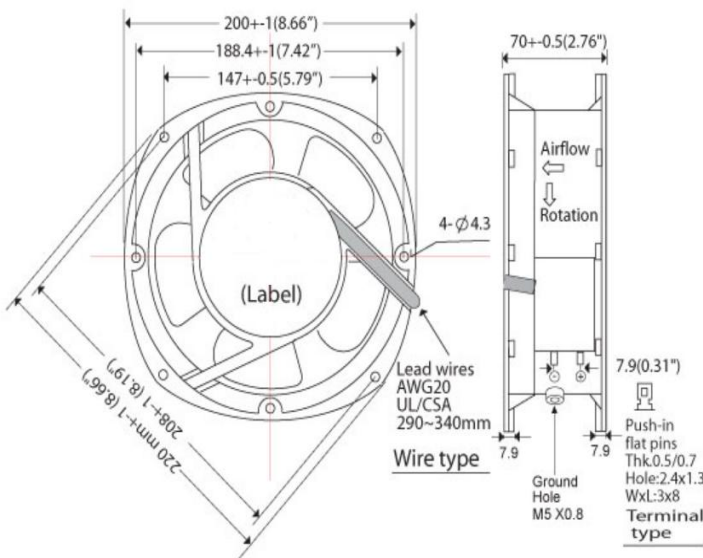
Motor Structure: Capacitor induction

Motor protection: Thermally protected

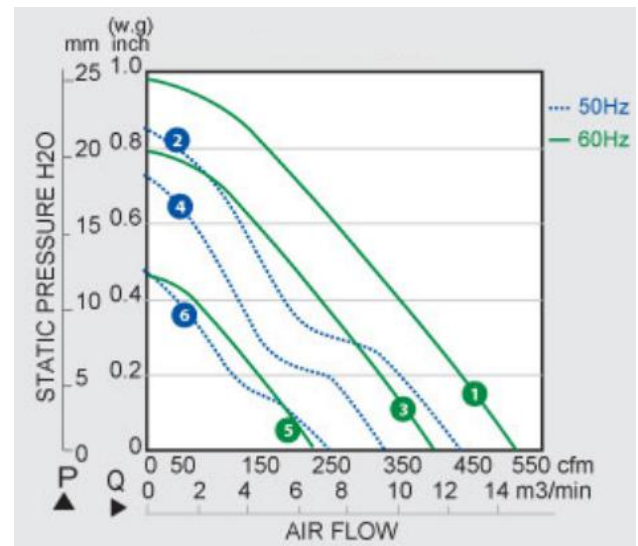
Termination: Terminals or Lead wire

Weight: 2200g / PC

Dimension (units:mm)



Characteristic Curves



SPECIFICATION

Model	Voltage (V)	Freq. (Hz)	Power (W)	Speed (RPM)	Air Flow (CFM)	Pressure (mm Aq)	Noise (dB)
CY12070HB	115	50/60	60/75	2800/3200	440/510	21.59/24.64	66
CY22070HB	230	50/60	60/75	2800/3200	440/510	21.59/24.64	66



205x205x72 mm (8x8x2.8 in)



Frame: Die cast aluminum

Impeller: Plastic (UL 94V-0 P.B.T)

Ambient Temperature Range: -20°C ~ +70°C

Operating Voltage Range: Rated Voltage ±10%

Bearing: Ball bearing

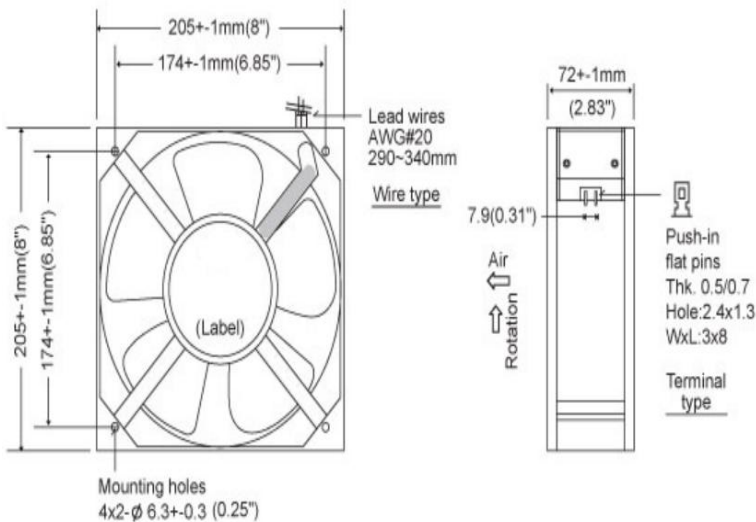
Motor Structure: Capacitor induction

Motor protection: Thermally protected

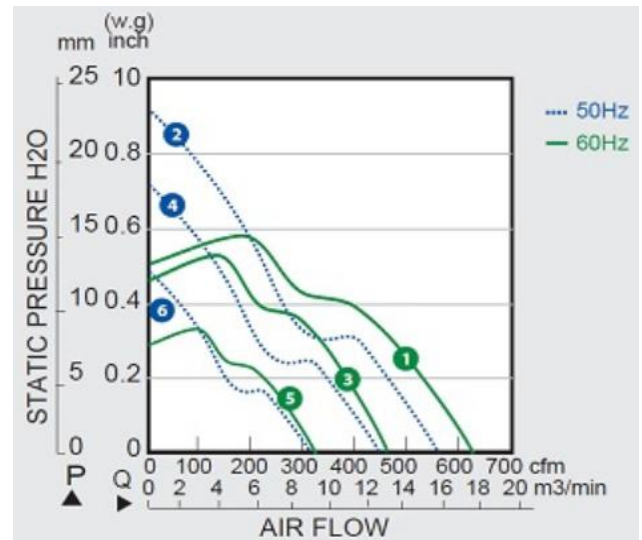
Termination: Terminals or Lead wire

Weight: 2000g / PC

Dimension (units:mm)



Characteristic Curves



SPECIFICATION

Model	Voltage (V)	Freq. (Hz)	Power (W)	Speed (RPM)	Air Flow (CFM)	Pressure (mm Aq)	Noise (dB)
CY12072HB	115	50/60	60/75	2800/3150	587/660	23.11/17.78	69
CY22072HB	230	50/60	60/75	2800/3150	587/660	23.11/17.78	69



ø254x89 mm (ø10x3.5 in)



Frame: Die cast aluminum

Impeller: Plastic (UL 94V-0 P.B.T)

Ambient Temperature Range: -20°C ~ +65°C

Operating Voltage Range: Rated Voltage ±10%

Bearing: Ball bearing

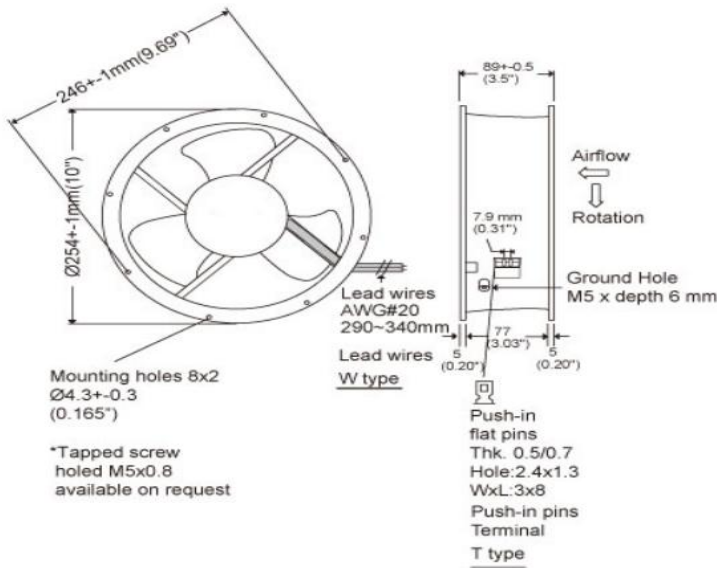
Motor Structure: Capacitor induction

Motor protection: Thermally protected

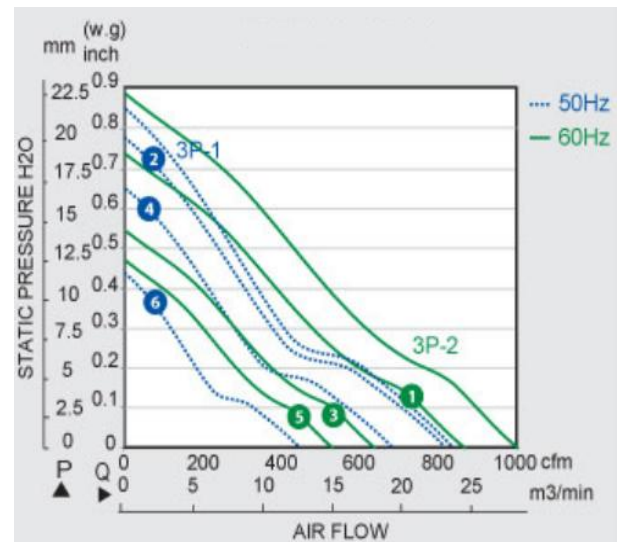
Termination: Terminals or Lead wire

Weight: 2460g / PC

Dimension (units:mm)



Characteristic Curves



SPECIFICATION

Model	Voltage (V)	Freq. (Hz)	Power (W)	Speed (RPM)	Air Flow (CFM)	Pressure (mm Aq)	Noise (dB)
CY12589UB	115	50/60	60/75	2800/3150	880/1000	30.48/27.94	70
CY12589XB	115	50/60	60/75	2600/2700	820/860	19.81/18.54	65
CY12589HB	115	50/60	60/70	2100/1950	680/630	12.95/9.91	58
CY22589UB	230	50/60	60/75	2800/3150	880/1000	30.48/27.94	70
CY22589XB	230	50/60	60/75	2600/2700	820/860	19.81/18.54	65
CY22589HB	230	50/60	60/70	2100/1950	680/630	12.95/9.91	58



ø254x107 mm (ø10x4.21 in)



Frame: Die cast aluminum

Impeller: Plastic (UL 94V-0 P.B.T)

Ambient Temperature Range: -20°C ~ +70°C

Operating Voltage Range: Rated Voltage ±10%

Bearing: Ball & Sleeve bearing

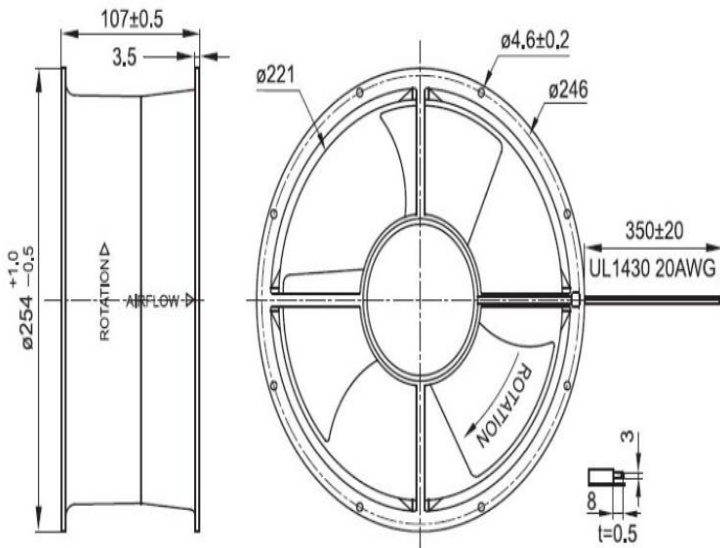
Motor Structure: Capacitor induction

Motor protection: Thermally or Impedance protected

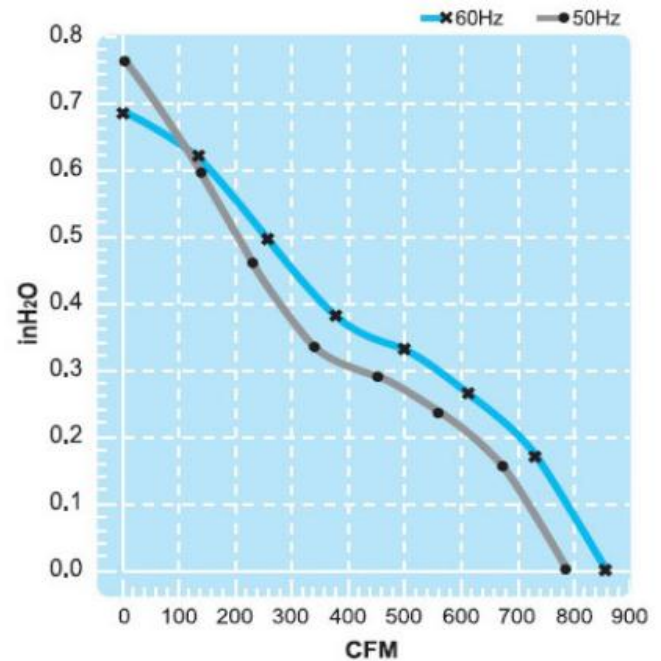
Termination: Terminals or Lead wire

Weight: 2500g / PC

Dimension (units:mm)



Characteristic Curves



SPECIFICATION

Model	Voltage (V)	Freq. (Hz)	Current (A)	Power (W)	Speed (RPM)	Air Flow (CFM)	Pressure (mm Aq)	Noise (dB)
CY12511HB	115	50/60	0.85/1.07	95/125	2600/2750	780/850	19/17.5	63/65
CY22511HB	230	50/60	0.42/0.5	95/125	2600/2750	780/850	19/17.5	63/65



280x280x89 mm (11x11x3.5 in)



Frame: Die cast aluminum

Impeller: Plastic (UL 94V-0 P.B.T)

Ambient Temperature Range: -20°C ~ +70°C

Operating Voltage Range: Rated Voltage $\pm 10\%$

Bearing: Ball bearing

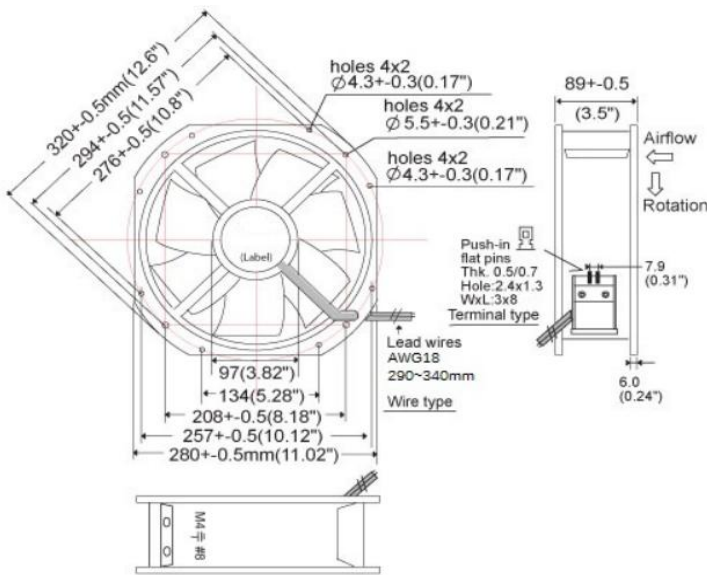
Motor Structure: Capacitor induction

Motor protection: Thermally protected

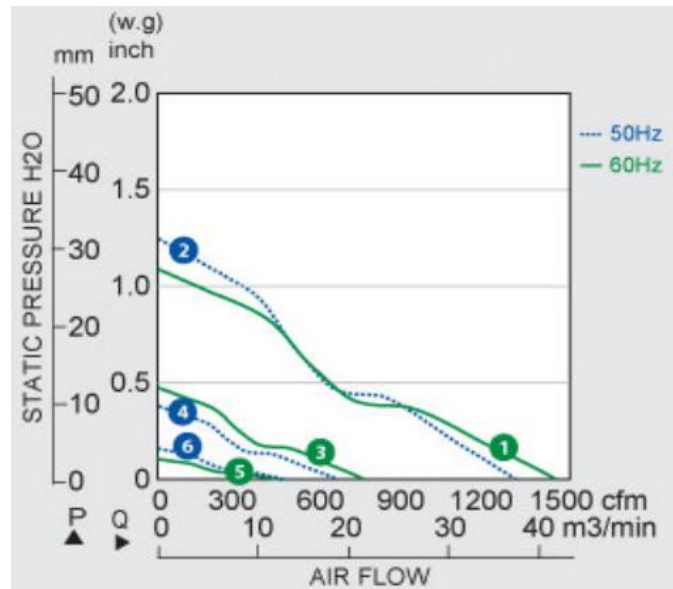
Termination: Terminals or Lead wire

Weight: 3950g / PC

Dimension (units:mm)



Characteristic Curves



AC Axial Fan

SPECIFICATION

Model	Voltage (V)	Freq. (Hz)	Power (W)	Speed (RPM)	Air Flow (CFM)	Pressure (mm Aq)	Noise (dB)
CY12889HB	115	50/60	181/286	2800/3200	1300/1450	31.75/27.94	75
CY22889HB	230	50/60	181/286	2800/3200	1300/1450	31.75/27.94	75



□80x80x38mm (□3x3x1.5 in)



Frame: Die cast aluminum

Impeller: Steel metal fan blades.

Ambient Temperature Range: -30°C ~ +80°C

Operating Voltage Range: Rated Voltage ±10%

Bearing: Ball bearing

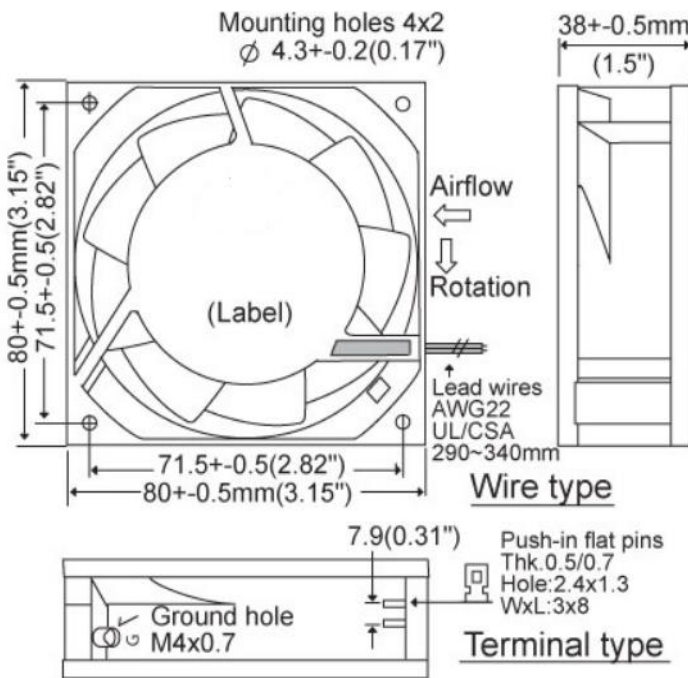
Motor Structure: Shaded pole, outer rotor, single phase

Motor protection: Impedance Protected

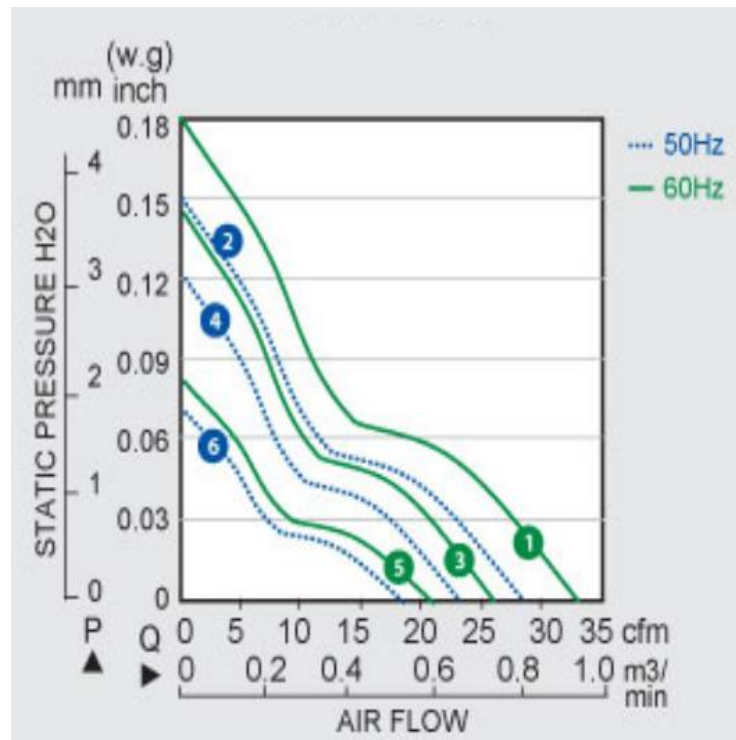
Termination: Terminals or Lead wire

Package: 430g / PC,

Dimension (units:mm)



Characteristic Curves



SPECIFICATION

Model	Voltage (V)	Freq. (Hz)	Power (W)	Speed (RPM)	Air Flow (CFM)	Pressure (mm Aq)	Noise (dB)
CYM18038HB	115	50/60	15/13	2750/3200	28/33	3.81/4.57	35
CYM28038HB	230	50/60	15/13	2750/3200	28/33	3.81/4.57	35



□92x92x38mm (□3.6x3.6x1.5 in)



Frame: Die cast aluminum

Impeller: Steel metal fan blades

Ambient Temperature Range: -30°C ~ +80°C

Operating Voltage Range: Rated Voltage ±10%

Bearing: Ball bearing

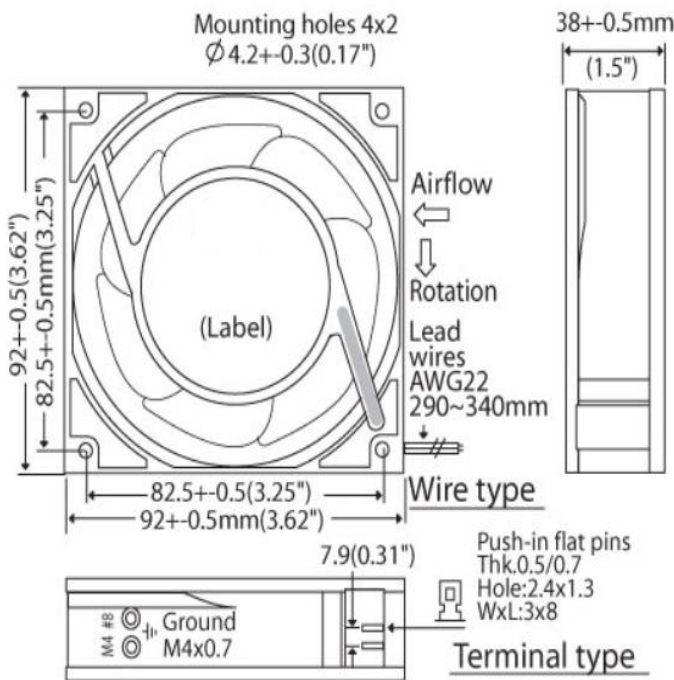
Motor Structure: Shaded pole, outer rotor, single phase

Motor protection: Impedance Protected

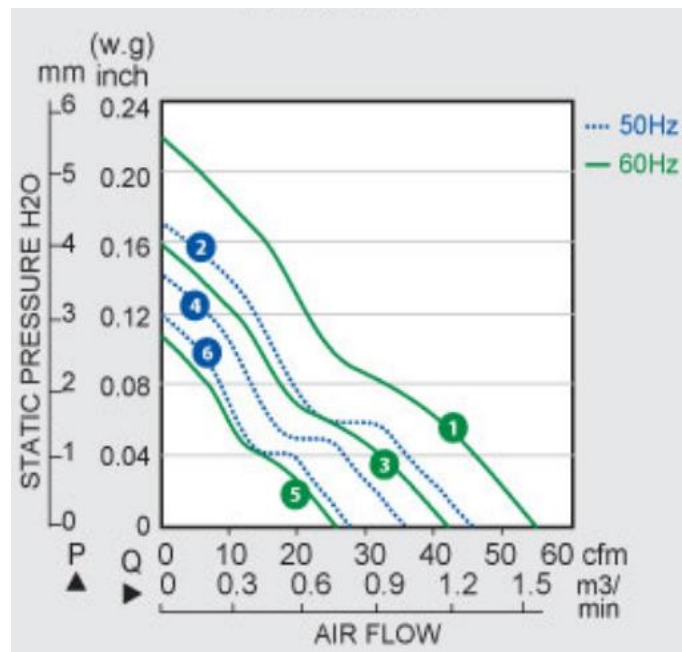
Termination: Terminals or Lead wire

Package: 480g / PC

Dimension (units:mm)



Characteristic Curves



SPECIFICATION

Model	Voltage (V)	Freq. (Hz)	Power (W)	Speed (RPM)	Air Flow (CFM)	Pressure (mm Aq)	Noise (dB)
CYM19238HB	115	50/60	17/15	2800/3300	47/55	4.32/5.59	40
CYM29238HB	230	50/60	17/15	2800/3300	47/55	4.32/5.59	40



□120x120x38 mm
(□4.7x4.7x1.5 in)



Frame: Die cast aluminum

Impeller: Steel

Ambient Temperature Range: -10°C ~ +70°C

Operating Voltage Range: Rated Voltage ±10%

Bearing: Ball bearing

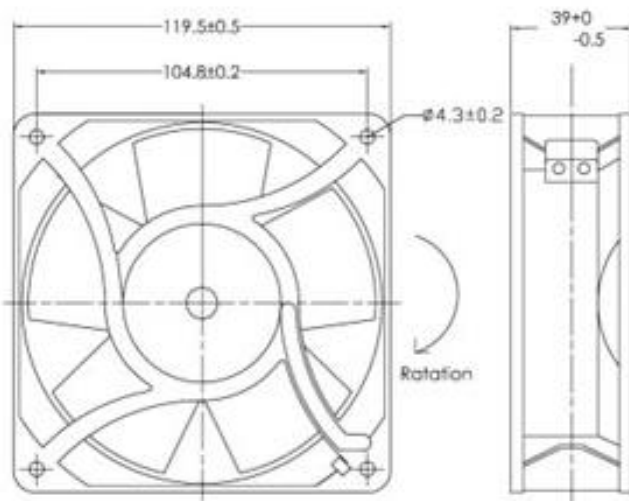
Motor Structure: AC External rotor Capacitor Motor

Motor protection: Impedance Protected

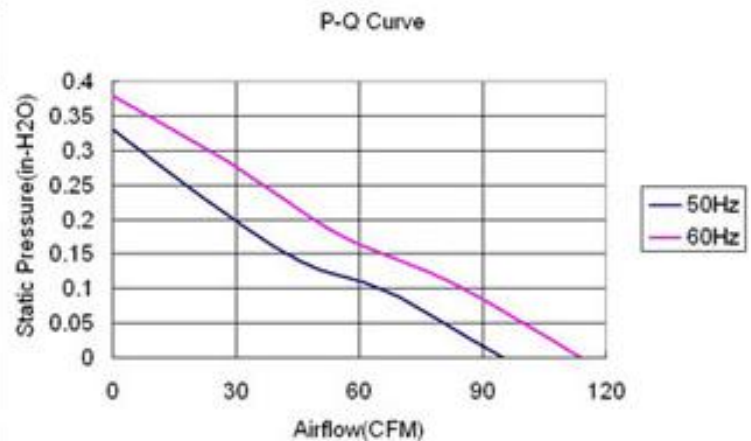
Termination: Terminals or Lead wire 310± 15mm

Package: 534g / PC

Dimension (units:mm)



Characteristic Curves



AC Axial Fan

SPECIFICATION

Model	Voltage (V)	Freq. (Hz)	Current (A)	Power (W)	Speed (RPM)	Air Flow (CFM)	Pressure (mmAq)	Noise (dB)
CYM11238HB	115	50/60	0.13/0.11	12.5/11	2750/3250	105/123	7.11/8.89	47/49
CYM21238HB	230	50/60	0.06/0.06	12.5/11.5	2650/3150	103/120	7.11/8.89	47/49



□127x127x38.5mm (□5x5x1.5 in)



Frame: Die cast aluminum

Impeller: Steel metal fan blades.

Ambient Temperature Range: -30°C ~ +80°C

Operating Voltage Range: Rated Voltage ±10%

Bearing: Ball bearing

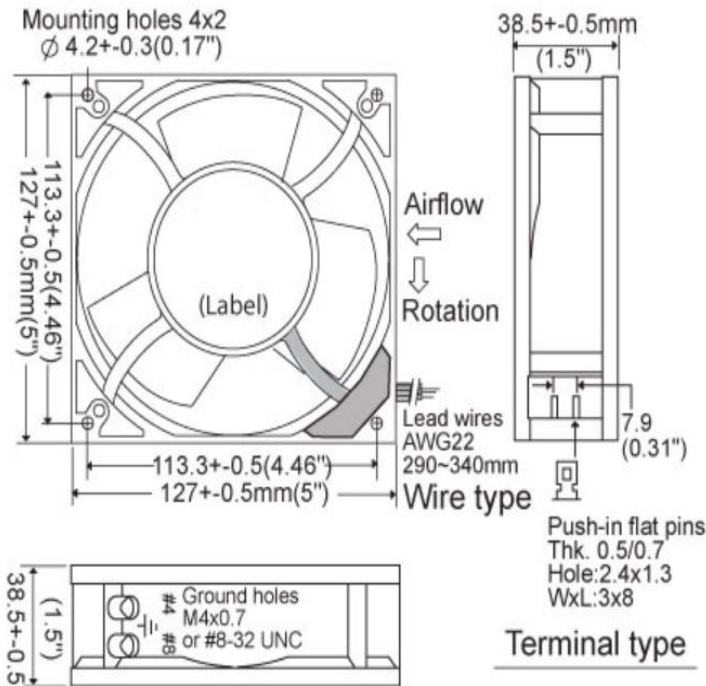
Motor Structure: Shaded pole induction, single phase

Motor protection: Impedance Protected

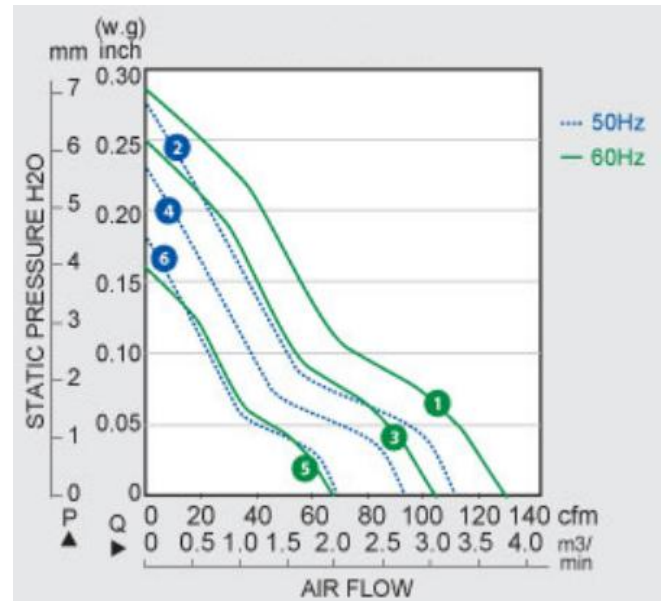
Termination: Terminals or Lead wire

Package: 630g / PC

Dimension (units:mm)



Characteristic Curves



SPECIFICATION

Model	Voltage (V)	Freq. (Hz)	Power (W)	Speed (RPM)	Air Flow (CFM)	Pressure (mm Aq)	Noise (dB)
CYM11338HB	115	50/60	29/26	2600/2950	110/128	6.86/7.37	48
CYM21338HB	230	50/60	29/26	2600/2950	110/128	6.86/7.37	48



□172x150x38 mm
(□6.77x6x1.5 in)



Frame: Die cast aluminum, Painted Black

Impeller: Steel(black)

Ambient Temperature Range: -20°C ~ +70°C

Operating Voltage Range: Rated Voltage ±10%

Bearing: Ball bearing (TÜV & UL approval)

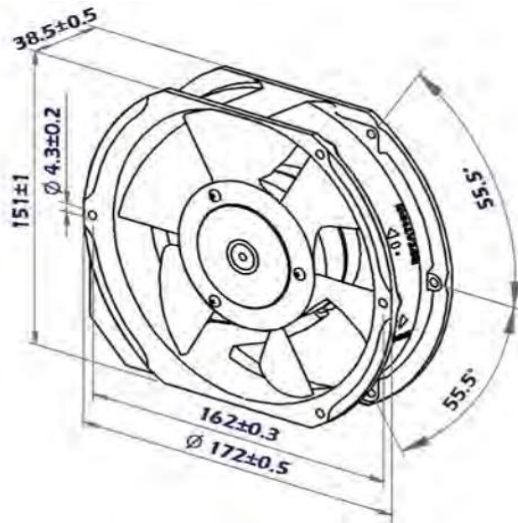
Motor Structure: AC Induction Capacitor Motor

Motor protection: Thermal Protected (Auto Restart)

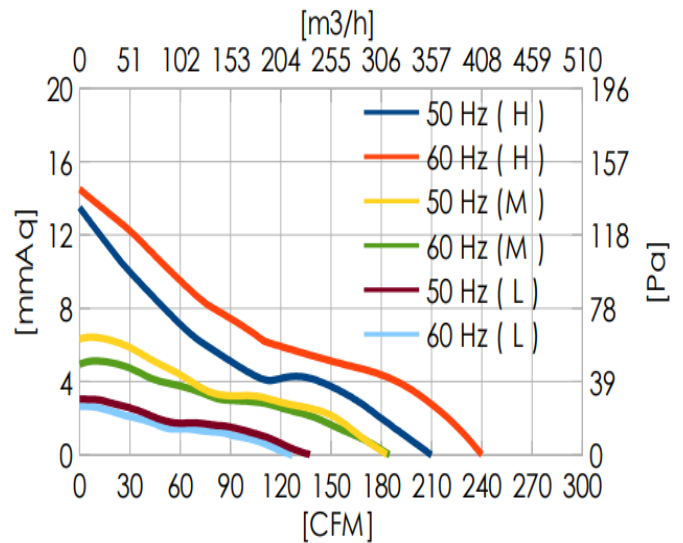
Termination: Terminals or Lead wire

Package: 820g / PC

Dimension (units:mm)



Characteristic Curves



SPECIFICATION

Model	Voltage (V)	Freq. (Hz)	Current (A)	Power (W)	Speed (RPM)	Air Flow (CFM)	Pressure (mm Aq)	Noise (dB)	TÜV UL
CYM11738HB	115	50/60	0.25/0.21	27/25	2700/3100	210/240	13.5/14.5	53/59	✓
CYM21738HB	230	50/60	0.11/0.12	26/27	2700/3100	210/240	13.5/14.5	53/59	✓



□172x150x51 mm (□6.77x6x2 in)



Frame: Die cast aluminum

Impeller: Steel

Ambient Temperature Range: -20°C ~ +70°C

Operating Voltage Range: Rated Voltage ±10%

Bearing: Ball (TÜV & UL approval)

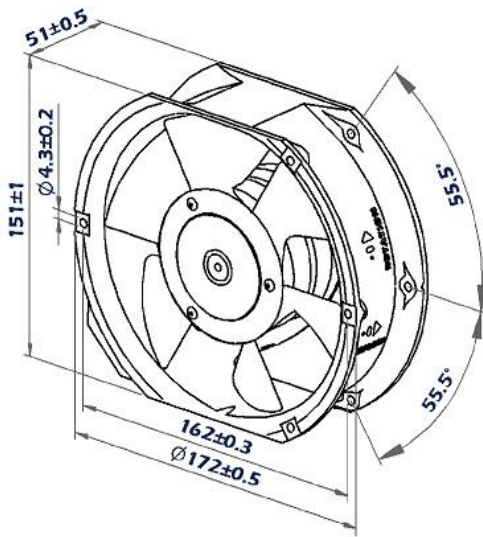
Motor Structure: AC Induction Capacitor/Three-phase

Motor protection: Thermal Protected (Auto Restart)

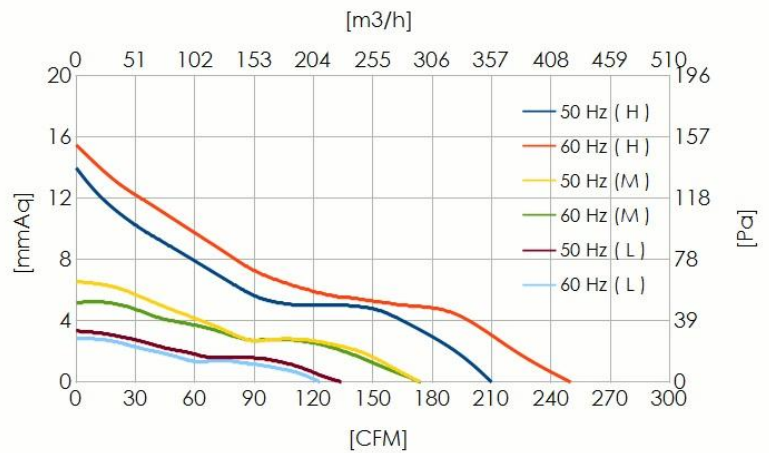
Termination: Terminals or Lead wire 300mm

Weight: 1080g / PC

Dimension (units:mm)



Characteristic Curves



SPECIFICATION

Model	Voltage (V)	Freq. (Hz)	Current (A)	Power (W)	Speed (RPM)	Air Flow (CFM)	Pressure (mm Aq)	Noise (dB)	TÜV UL
CYM11751XB	115	50/60	0.27/0.23	26/26	2800/3300	230/270	16.5/20	55/61	✓
CYM21751XB	230	50/60	0.1/0.11	23/26	2800/3300	230/270	16.5/20	55/61	✓
CYM11751HB	115	50/60	0.25/0.21	27/25	2700/3100	210/250	14/15.5	53/59	
CYM21751HB	230	50/60	0.11/0.12	26/27	2700/3100	210/250	14/15.5	53/59	

Customized voltage are available such as 100v,200v & 380v



□172x150x51 mm
(□6.77x6x2 in)



SPECIFICATION

Model	Voltage (V)	Freq. (Hz)	Current (A)	Power (W)	Speed (RPM)	Air Flow (CFM)	Pressure (mm Aq)	Noise (dB)	TÜV UL
CYM21751XB(3ø)	230	50/60	0.065/0.063	15/18	2800/3150	220/250	16.5/17	55/61	
CYM31751HB(3ø)	380	50/60	0.071/0.055	19/21	2800/3200	220/260	16.5/18	55/61	
CYM41751HB(3ø)	480	50/60	0.056/0.044	26/25	2800/3300	220/260	16.5/20	55/61	



Ø172x51 mm
(Ø6.77x2 in)



Frame: Die cast aluminum

Impeller: Steel

Ambient Temperature Range: -20°C ~ +70°C

Operating Voltage Range: Rated Voltage ±10%

Bearing: Ball bearing (TÜV & UL approval)

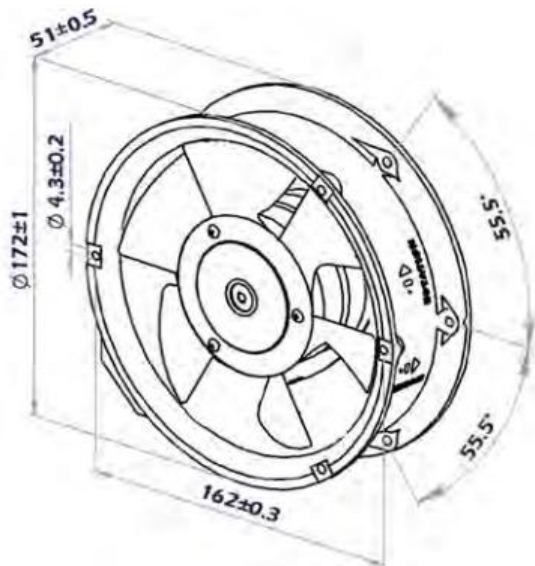
Motor Structure: AC Induction Capacitor Motor

Motor protection: Thermal Protected

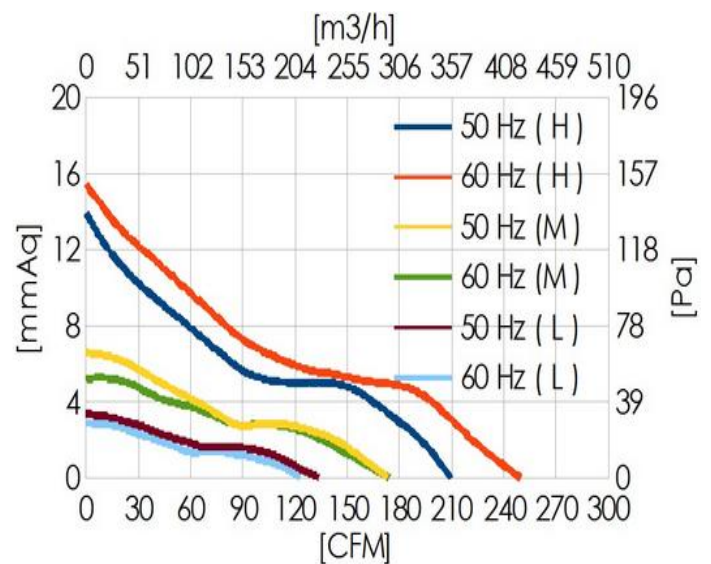
Termination: Terminals or Lead wire

Package: 1080g / PC

Dimension (units:mm)



Characteristic Curves



AC Axial Fan

SPECIFICATION

Model	Voltage (V)	Freq. (Hz)	Current (A)	Power (W)	Speed (RPM)	Air Flow (CFM)	Pressure (mmAq)	Noise (dB)	TÜV U
CYM11751XBØ	115	50/60	0.27/0.23	26/26	2800/3300	230/270	16.5/20	55/61	✓
CYM21751XBØ	230	50/60	0.1/0.11	23/26	2800/3300	230/270	16.5/20	55/61	✓
CYM11751HBØ	115	50/60	0.25/0.21	27/25	2700/3100	210/250	14/15.5	53/59	
CYM21751HBØ	230	50/60	0.11/0.12	26/27	2700/3100	210/250	14/15.5	53/59	

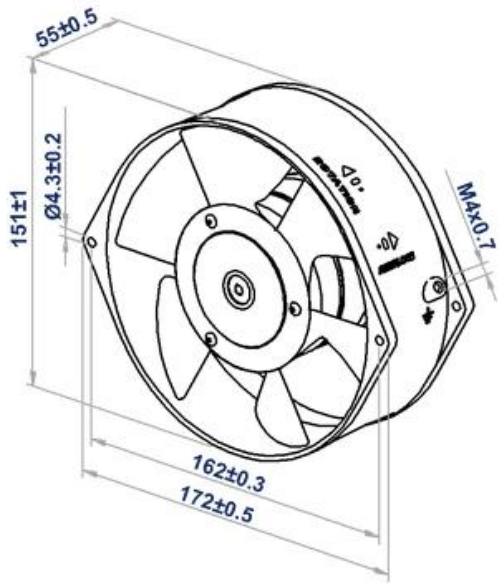


□172x150x55 mm (□6.77x6x2 in)

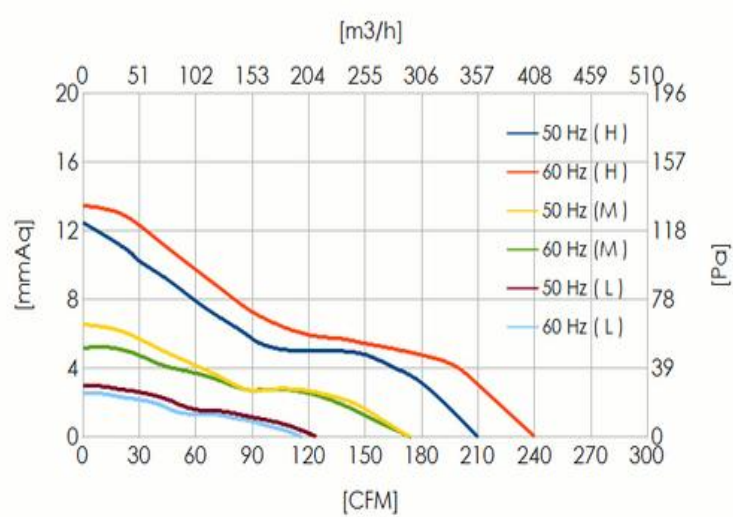


- Frame:** Die cast aluminum, Painted Black
- Impeller:** Steel
- Ambient Temperature Range:** -20°C ~ +70°C
- Operating Voltage Range:** Rated Voltage ±10%
- Bearing:** Ball bearing (TÜV & UL approval)
- Motor Structure:** AC Induction Capacitor
- Motor protection:** Thermal Protected(Auto Restart)
- Termination:** Terminals or Lead wire
- Package:** 980g/ PC

Dimension (units:mm)



Characteristic Curves



AC Axial Fan

SPECIFICATION

Model	Voltage (V)	Freq. (Hz)	Current (A)	Power (W)	Speed (RPM)	Air Flow (CFM)	Pressure (mmAq)	Noise (dB)	TÜV UL
CYM11755XB	115	50/60	0.27/0.23	26/26	2800/3300	210/240	13.5/17.5	55/61	
CYM21755XB	230	50/60	0.1/0.11	23/26	2800/3300	210/240	13.5/17.5	55/61	
CYM11755HB	115	50/60	0.25/0.21	27/25	2700/3100	210/240	12.5/13.5	53/59	✓
CYM21755HB	230	50/60	0.11/0.12	26/27	2700/3100	210/240	12.5/13.5	53/59	✓



□176x176x89 mm (□7x7x3.5 in)



Frame: Die cast aluminum

Impeller: Steel metal fan blades

Ambient Temperature Range: -30°C ~ +80°C

Operating Voltage Range: Rated Voltage ±10%

Bearing: Ball bearing

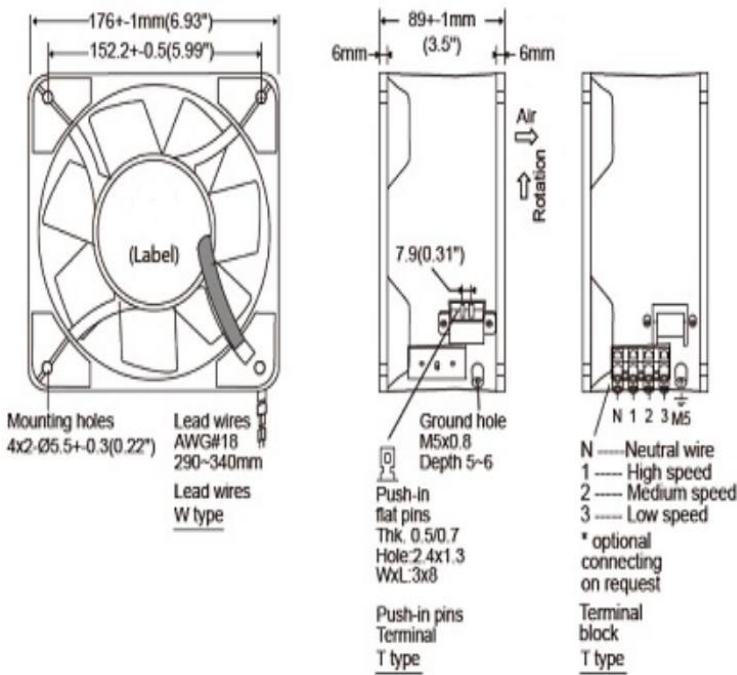
Motor Structure: Capacitor induction, single phase

Motor protection: Thermal Protected

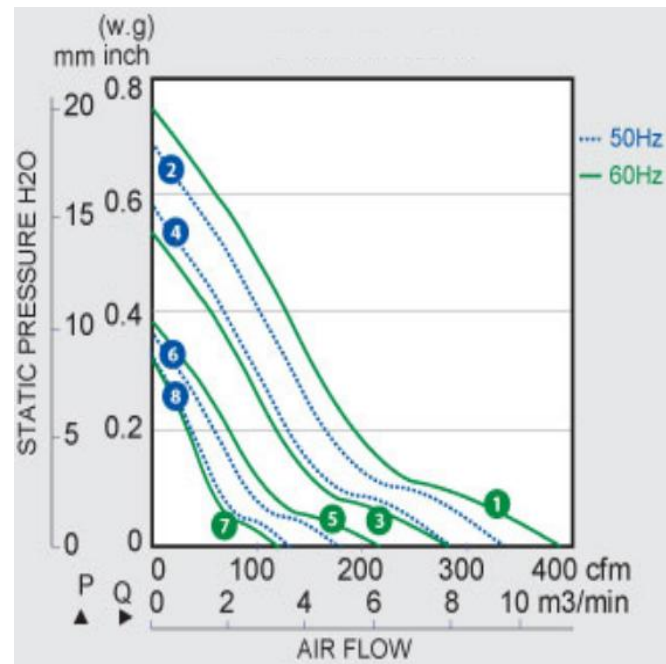
Termination: Terminals or Lead wire

Package: 1850g / PC

Dimension (units:mm)



Characteristic Curves



SPECIFICATION

Model	Voltage (V)	Freq. (Hz)	Power (W)	Speed (RPM)	Air Flow (CFM)	Pressure (mm Aq)	Noise (dB)
CYM11789HB	115	50/60	60/80	27500/3250	330/380	17.53/19.3	63
CYM21789HB	230	50/60	60/80	2750/3250	330/380	17.53/19.3	63



□200x220x70 mm (□8x8.6x2.8in)



Frame: Die cast aluminum

Impeller: Steel metal fan blades

Ambient Temperature Range: -30°C ~ +80°C

Operating Voltage Range: Rated Voltage ±10%

Bearing: Ball bearing

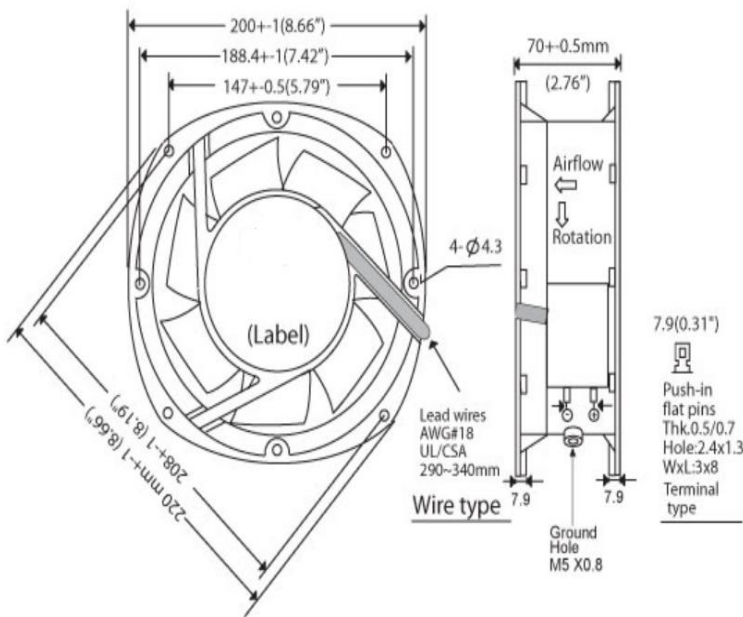
Motor Structure: Capacitor induction, single-phase

Motor protection: Thermal Protected

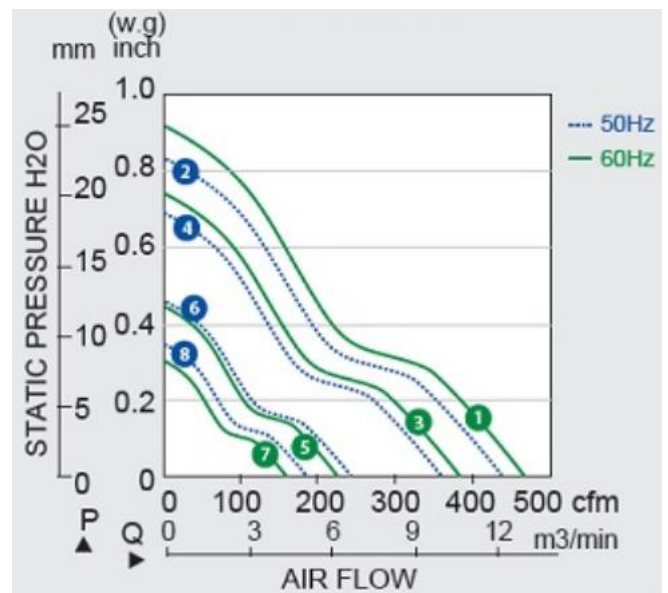
Termination: Terminals or Lead wire

Package: 2100g / PC

Dimension (units:mm)



Characteristic Curves



SPECIFICATION

Model	Voltage (V)	Freq. (Hz)	Power (W)	Speed (RPM)	Air Flow (CFM)	Pressure (mm Aq)	Noise (dB)
CYM12070HB	115	50/60	95/105	2800/3300	430/485	20.83/23.62	68
CYM22070HB	230	50/60	95/105	2800/3300	430/485	20.83/23.62	68

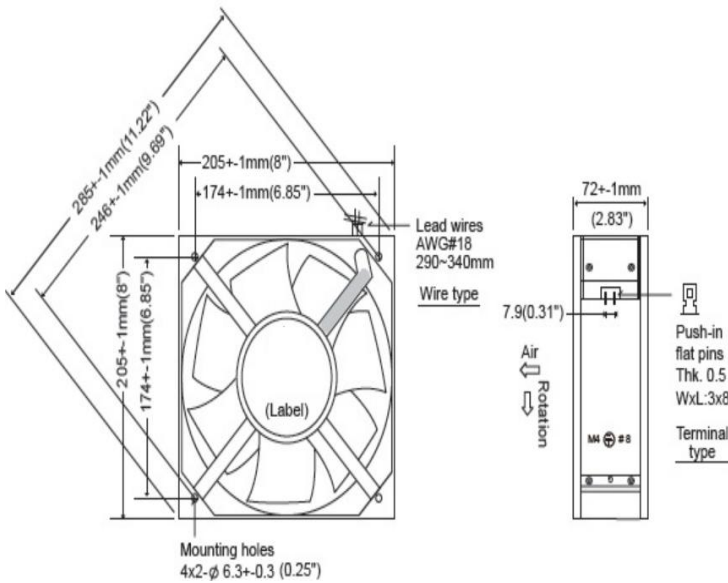


□205x205x72 mm (□8x8x2.8in)

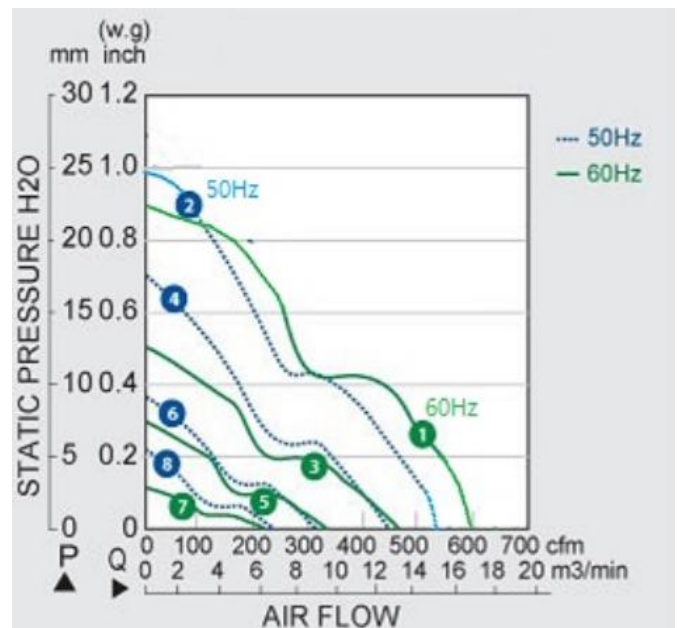


- Frame:** Die cast aluminum, natural color
- Impeller:** Steel metal fan blades
- Ambient Temperature Range:** -30°C ~ +80°C
- Operating Voltage Range:** Rated Voltage ±10%
- Bearing:** Ball bearing
- Motor Structure:** Outer rotor, capacitor induction
- Motor protection:** Thermal Protected,
- Termination:** Terminals or Lead wire
- Package:** 2350g / PC

Dimension (units:mm)



Characteristic Curves



AC Axial Fan

SPECIFICATION

Model	Voltage (V)	Freq. (Hz)	Power (W)	Speed (RPM)	Air Flow (CFM)	Pressure (mm Aq)	Noise (dB)
CYM12072HB	115	50/60	60/80	2800/3000	520/590	23.11/21.84	67
CYM22072HB	230	50/60	60/80	2800/3000	520/590	23.11/21.84	67



□225x225x80 mm (□9x9x3.1 in)



Frame: Die cast aluminum

Impeller: Steel-sheet metal fan blades

Ambient Temperature Range: -30°C ~ +80°C

Operating Voltage Range: Rated Voltage ±10%

Bearing: Double NSK Ball bearings are inner set

Motor Structure: External rotor motor

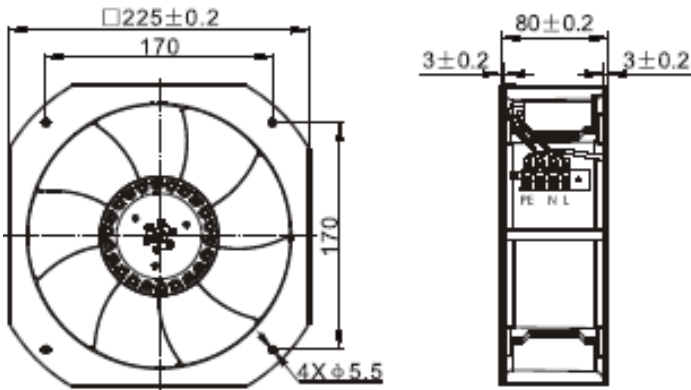
Motor protection: Thermal Protected

Termination: PA-10

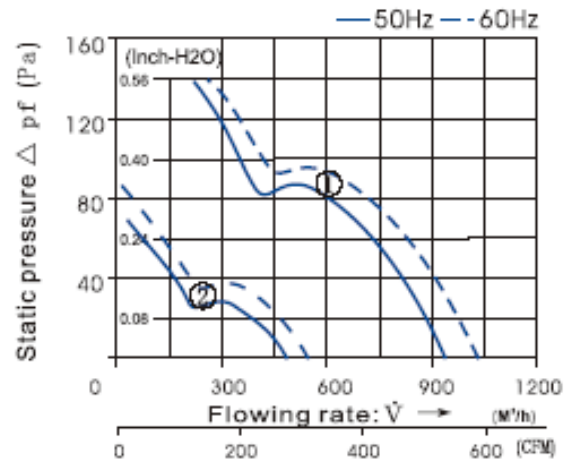
Protection Grade: IP44

Package: 2200g / PC

Dimension (units:mm)



Characteristic Curves



AC Axial Fan

SPECIFICATION

Model	Voltage (V)	Freq. (Hz)	Current (A)	Power (W)	Speed (RPM)	Air Flow (CFM)	Pressure (mm Aq)	Noise (dB)
CYM12280HBT	115	50/60	0.6/0.64	65/75	2550/2750	546/596	10.19/12.23	59/61
CYM22280HBT	230	50/60	0.3/0.34	65/77	2550/2750	546/596	10.19/12.23	59/61
CYM22280MBT	230	50/60	0.13/0.12	27/27	1350/1600	254/313	5.09/5.09	40/44



Ø254x89 mm (Ø10x3.5 in)



Frame: Die cast aluminum

Impeller: Steel

Ambient Temperature Range: -30°C ~ +85°C

Operating Voltage Range: Rated Voltage ±10%

Bearing: Ball bearing

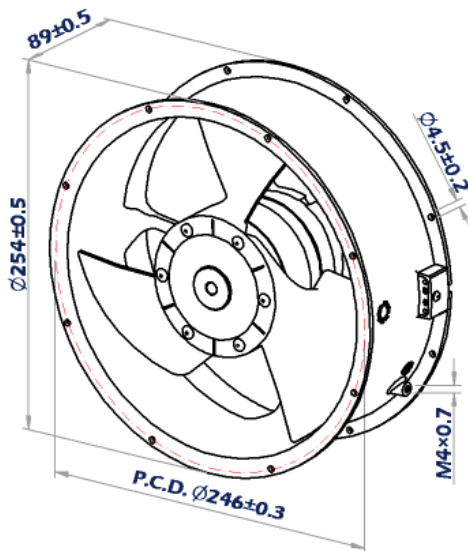
Motor Structure: AC capacitor induction

Motor protection: Thermal Protected (Auto Restart)

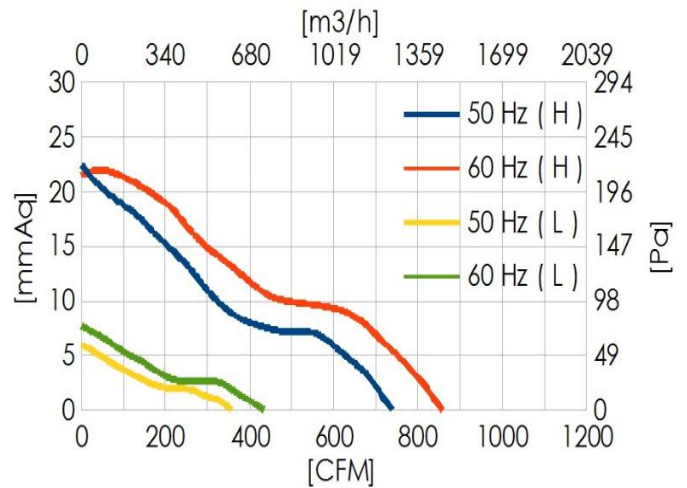
Termination: Terminals or Lead wire

Package: 2750g / PC

Dimension (units:mm)



Characteristic Curves



AC Axial Fan

SPECIFICATION

Model	Voltage (V)	Freq. (Hz)	Current (A)	Power (W)	Speed (RPM)	Air Flow (CFM)	Pressure (mm Aq)	Noise (dB)	TÜV UL
CYM12589HB	115	50/60	0.59/0.86	66/95	2800/3200	740/860	22.5/21.5	66/68	✓
CYM22589HB	230	50/60	0.28/0.43	66/95	2800/3200	740/860	22.5/21.5	66/68	✓
CYM22589HB(3Ø)	230	50/60	0.237/0.258	57/80	2750/3100	730/850	21/20	66/68	
CYM32589HB(3Ø)	380	50/60	0.225/0.2	68/89	2800/3250	750/860	21/20	66/68	
CYM42589SB(3Ø)	440	50/60	0.187/0.172	67/86	2800/3250	750/870	22.5/22	66/68	



□280x280x80 mm (□11x11x3.1 in)



Frame: Die cast aluminum

Impeller: Steel-sheet metal fan blades

Ambient Temperature Range: -30°C ~ +80°C

Operating Voltage Range: Rated Voltage ±10%

Bearing: Double NSK Ball bearings are inner set

Motor Structure: External rotor inducted by a running cap acitor

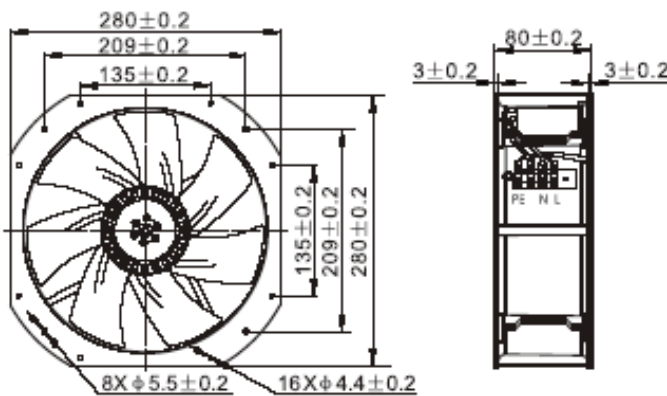
Motor protection: Thermal Protected

Termination: PA-10

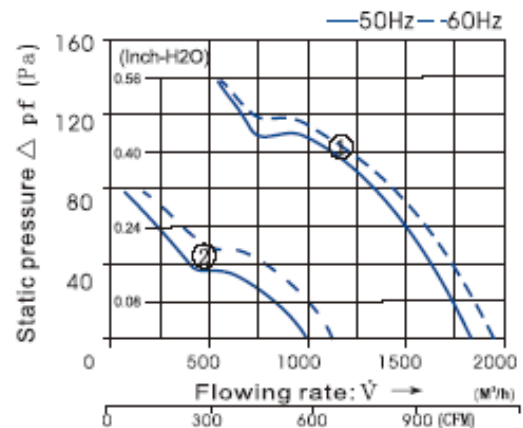
Protection Grade: IP55,IP44

Package: 2800g / PC

Dimension (units:mm)



Characteristic Curves



AC Axial Fan

SPECIFICATION

Model	Voltage (V)	Freq. (Hz)	Current (A)	Power (W)	Speed (RPM)	Air Flow (CFM)	Pressure (mm Aq)	Noise (dB)
CYM12880HBT	115	50/60	1.1/1.2	110/136	2550/2800	1097/1204	14.27/14.27	69/70
CYM22880HBT	230	50/60	0.48/0.62	105/140	2550/2800	1097/1204	14.27/14.27	69/70
CYM22880MBT	230	50/60	0.24/0.35	50/57	1400/1650	596/714	8.15/10.19	54/58



□280x280x89 mm (□11x11x3.5 in)



Frame: Die cast aluminum

Impeller: 7 blades, all metal

Ambient Temperature Range: -30°C ~ +80°C

Operating Voltage Range: Rated Voltage ±10%

Bearing: Ball bearing

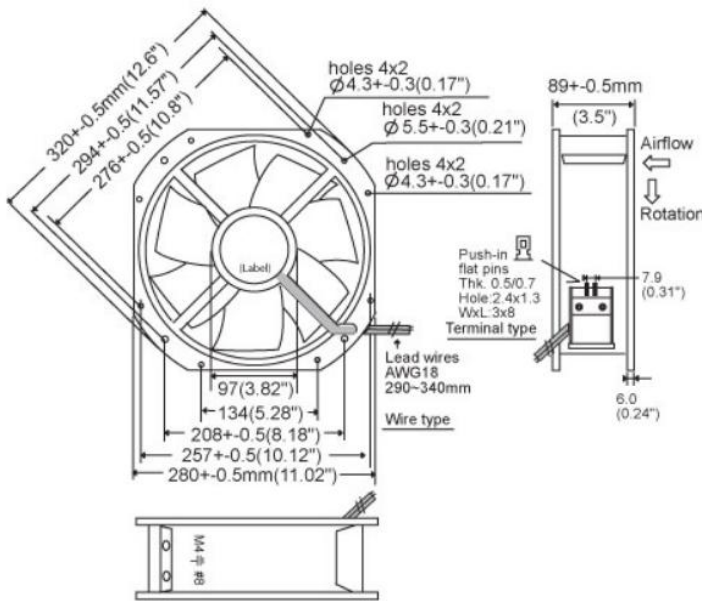
Motor Structure: Capacitor induction, single-phase

Motor protection: Thermal Protect

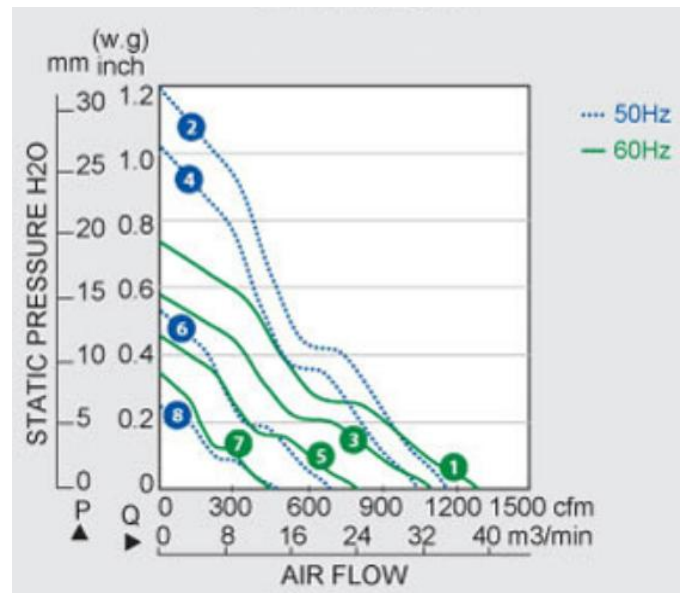
Termination: Terminals or Lead wire

Package: 3400g / PC

Dimension (units:mm)



Characteristic Curves



SPECIFICATION

Model	Voltage (V)	Freq. (Hz)	Power (W)	Speed (RPM)	Air Flow (CFM)	Pressure (mm Aq)	Noise (dB)
CYM12890HB	115	50/60	155/210	2800/3200	1150/1300	30.48/19.05	73
CYM22890HB	230	50/60	155/210	2800/3200	1150/1300	30.48/19.05	73